

# todo de inoxidable



*Manlids/Manways*



*Portes et trappes*



*Mannlöcher und Domdeckel*








*Puertas y tapas*



*Portelle e chiusini*

# NPDC type



-  Non-pressure hygienic access covers
-  Trappes aseptiques sans pression
-  Drucklose Domdeckel, steril
-  Bocas de hombre asépticas sin presión
-  Chiusino circolare



- ♦ 7011 219
- ♦ 7011 300
- ♦ 7011 350
- ♦ 7011 400
- ♦ 7011 430
- ♦ 7011 450
- ♦ 7011 500
- ♦ 7011 600

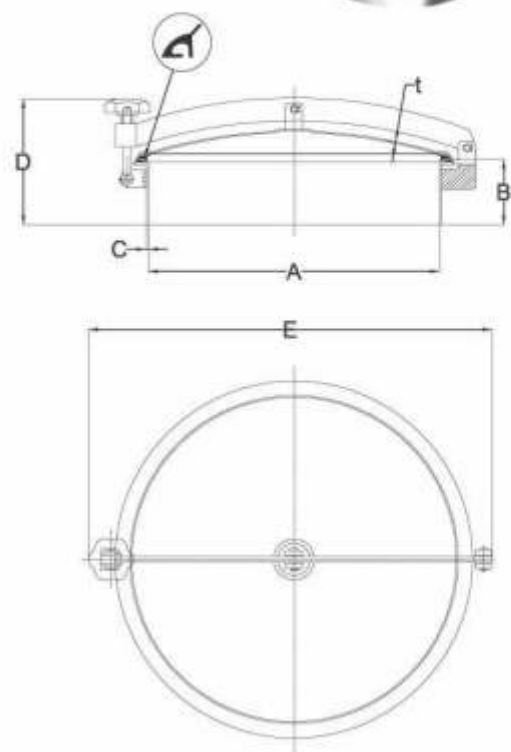


## STANDARD SIZE/\* At temperature 50°C / 122 °F

CODE	A	OD×C	B	T	P.MAX
	mm	mm	mm	mm	bar
7011 219	214	219×2.5	100	2.0	0.2
7011 300	294	300×3.0	100	2.5	0.18
7011 350	344	350×3.0	100	2.5	0.15
7011 400	394	400×3.0	100	2.5	0.12
7011 430	424	430×3.0	100	2.5	0.1
7011 450	444	450×3.0	100	2.5	0.1
7011 500	494	500×3.0	100	2.5	0
7011 600	594	600×3.0	100	2.5	0

IF YOU WANT TO CHECK FOR MORE DETAILS  
PLEASE CHECK THE FOLLOWING DRAWING

\*1BAR =14.5PSI=0.1MPA



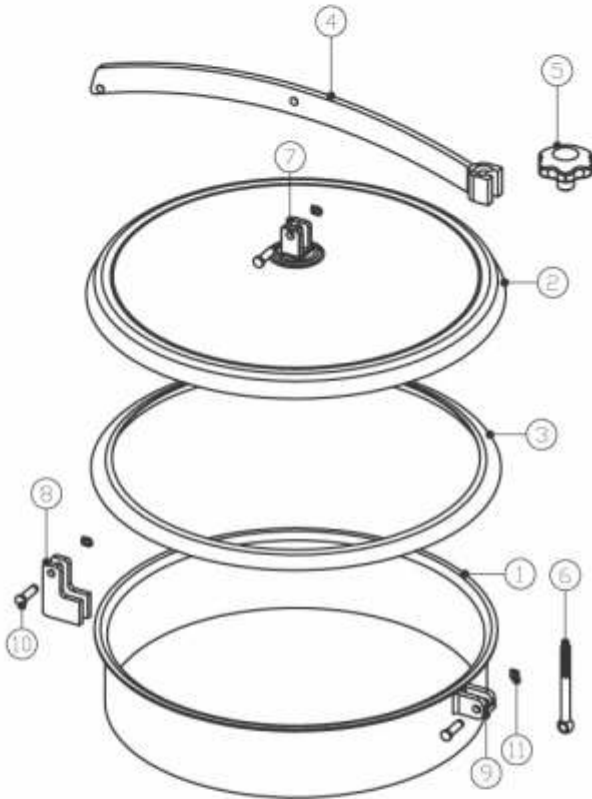
ISO9001

Subject to modification without notice in advance

01

# NPDC type

## NPDC Parts Drawing



GASKET		
Part No.	Material	Color
7010-01 1	Silicon	White
7010-01 2	EPDM	Black
7010-01 3	FPM	Black

Item	Description	Material	Qty
1	Frame	1.4301/1.4404	1
2	Cover	1.4301/1.4404	1
3	Gasket	Silicon	1
4	Bracket	304	1
5	Handle	Plastic/T304	1
6	Swing bolt	T304	1
7	Up hinge Support	T304	1
8	Back hinge Support	T304	1
9	Front hinge Support	T304	1
10	Pin	T304	3
11	Lock ring	T304	3

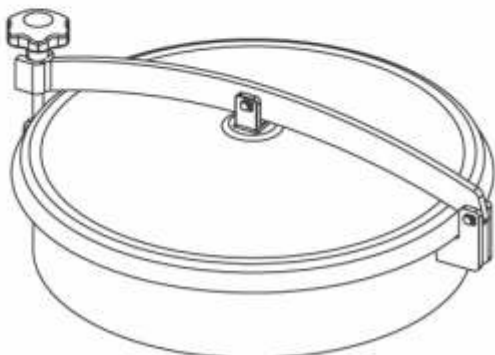
## NPDC Technology

### TECHNICAL DATA

Working pressure: . . . . .Acc. to table standard size.

### Certificates

EN10204. 3.1 certificate



## Options

### Stainless Steel Finishes

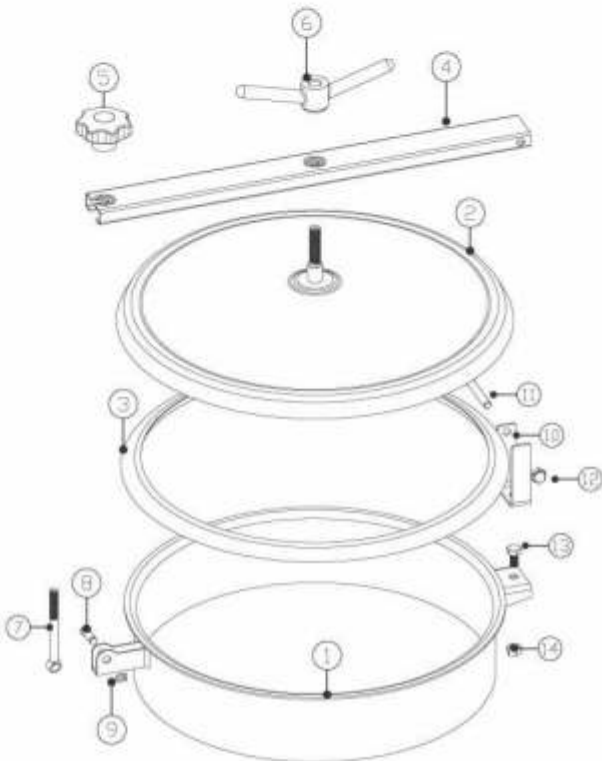
- POLISHED WITH RA (μ)
- BEAD BLASTED
- PICKLED : ON REQUEST
- ELECTRO POLISHED

### Cover & Frame Range

Cover Thickness	Frame/Neck Height
2.0mm	85mm (3.35")
2.5mm	100mm (3.94")
3.0mm	120mm (4.72")
	150mm (5.91")
	200mm (7.76")
	250mm (9.85")

Note: Longer heights are also available.

## NPDD Parts Drawing



GASKET		
Part No.	Material	Color
7010-01 1	Silicon	White
7010-01 2	EPDM	Black
7010-01 3	FPM	Black

Item	Description	Material	Qty
1	Frame	1.4301/1.4404	1
2	Cover	1.4301/1.4404	1
3	Gasket	Silicon	1
4	Bracket	304	1
5	Handle	Plastic/T304	1
6	Nut	T304	1
7	Swing bolt	T304	1
8	Pin	T304	1
9	Lock ring	T304	1
10	Back hinge support	T304	1
11	Screw	T304	1
12	Nut	T304	1
13	Screw	T304	1
14	Nut	T304	1

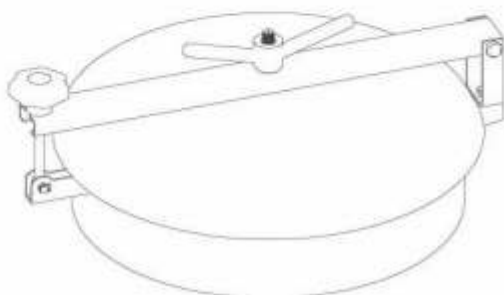
## NPDD Technology

### TECHNICAL DATA

Working pressure: . . . . .Acc. to table standard size.

### Certificates

EN10204. 3.1 certificate



## Options

### Stainless Steel Finishes

POLISHED WITH RA (μ)

BEAD BLASTED

PICKLED : ON REQUEST

ELECTRO POLISHED






### Cover & Frame Range

Cover Thickness	Frame/Neck Height
2.0mm	85mm (3.35")
2.5mm	100mm (3.94")
3.0mm	120mm (4.72")
	150mm (5.91")
	200mm (7.76")
	250mm (9.85")

Note: Longer heights are also available.

# NPDE type



-  Non-pressure hygienic access covers
-  Trappes aseptiques sans pression
-  Drucklose Domdeckel, steril
-  Bocas de hombre asépticas sin presión
-  Chiusino circolare



- ◆ 7013 219
- ◆ 7013 300
- ◆ 7013 350
- ◆ 7013 400
- ◆ 7013 430
- ◆ 7013 450
- ◆ 7013 500
- ◆ 7013 600

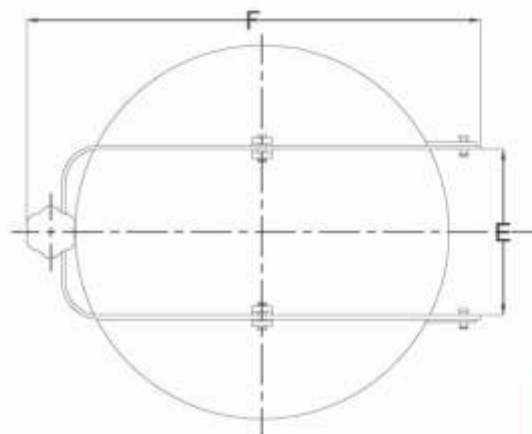
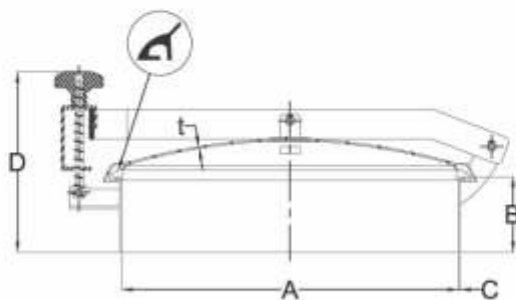


**STANDARD SIZE/\*** At temperature 50°C / 122 °F

CODE	A	OD×C	B	T	P.MAX
	mm	mm	mm	mm	bar
7013 219	214	219×2.5	100	2.0	0.3
7013 300	294	300×3.0	100	2.5	0.22
7013 350	344	350×3.0	100	2.5	0.18
7013 400	394	400×3.0	100	2.5	0.16
7013 430	424	430×3.0	100	2.5	0.15
7013 450	444	450×3.0	100	2.5	0.12
7013 500	494	500×3.0	100	2.5	0.1
7013 600	594	600×3.0	100	2.5	0

IF YOU WANT TO CHECK FOR MORE DETAILS  
PLEASE CHECK THE FOLLOWING DRAWING

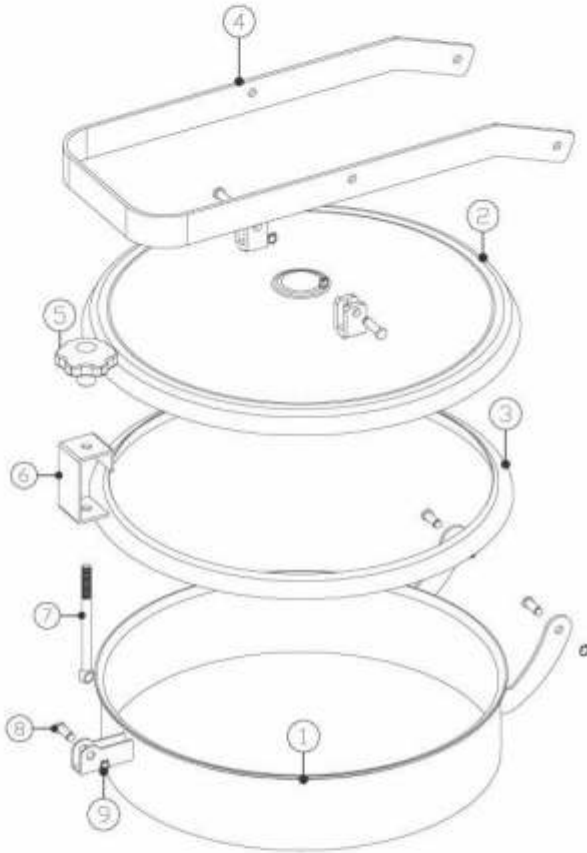
\*1BAR = 14.5PSI=0.1MPA



# NPDE type



## NPDE Parts Drawing



GASKET		
Part No.	Material	Color
7010-01 1	Silicon	White
7010-01 2	EPDM	Black
7010-01 3	FPM	Black

Item	Description	Material	Qty
1	Frame	1.4301/1.4404	1
2	Cover	1.4301/1.4404	1
3	Gasket	Silicon	1
4	Bracket	304	1
5	Handle	Plastic/T304	1
6	Front hinge support	T304	1
7	Swing bolt	T304	1
8	Pin	T304	5
9	Lock ring	T304	5

## NPDE Technology

### TECHNICAL DATA

Working pressure: . . . . .Acc. to table standard size.

### Certificates

EN10204. 3.1 certificate



## Options

### Stainless Steel Finishes

- POLISHED WITH RA (μ)
- BEAD BLASTED
- PICKLED : ON REQUEST
- ELECTRO POLISHED






### Cover & Frame Range

Cover Thickness	Frame/Neck Height
2.0mm	85mm (3.35")
2.5mm	100mm (3.94")
3.0mm	120mm (4.72")
	150mm (5.91")
	200mm (7.76")
	250mm (9.85")

Note: Longer heights are also available.

# CNPC type



-  Non-pressure hygienic access covers
-  Trappes sans pression
-  Drucklose Domdeckel
-  Bocas de hombre sin presión
-  Chiusino circolare



- ◆ 7014 350
- ◆ 7014 400
- ◆ 7014 430
- ◆ 7014 450
- ◆ 7014 500
- ◆ 7014 600

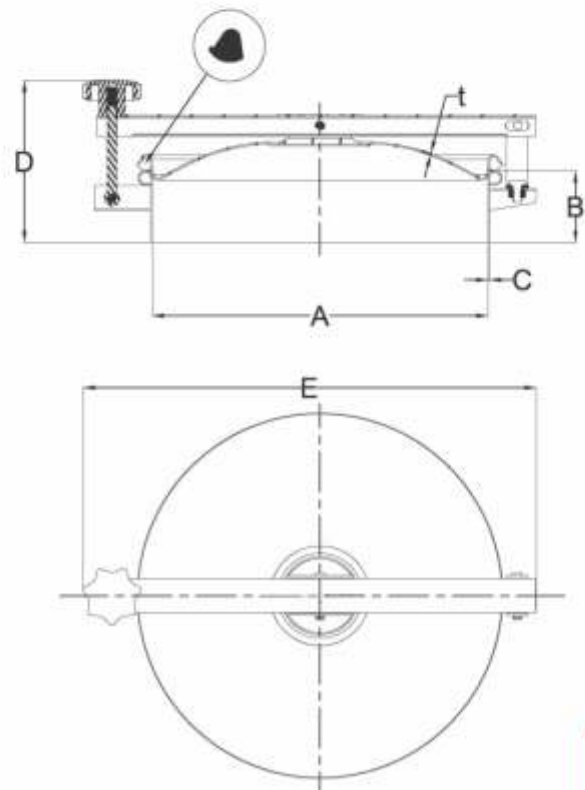


**STANDARD SIZE/\*** At temperature 50°C / 122 °F

CODE	A	OD×C	B	T	P.MAX
	mm	mm	mm	mm	bar
7014 350	346	350×2.0	85	2.0	0.15
7014 400	396	400×2.0	85	2.0	0.12
7014 430	426	430×2.0	85	2.0	0.11
7014 450	446	450×2.0	85	2.0	0.07
7014 500	496	500×2.0	85	2.0	0.05
7014 600	596	600×2.0	85	2.0	0

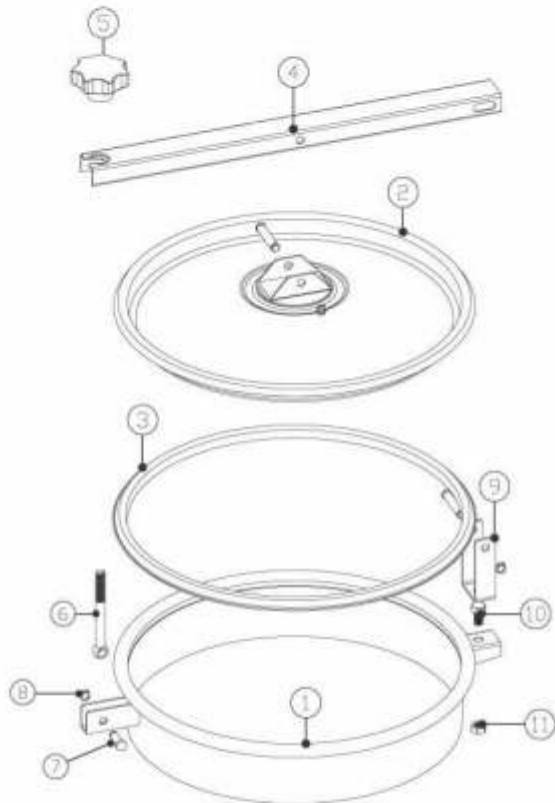
IF YOU WANT TO CHECK FOR MORE DETAILS  
PLEASE CHECK THE FOLLOWING DRAWING

\*1BAR =14.5PSI=0.1MPA



# CNPC type

## CNPC Parts Drawing



GASKET		
Part No.	Material	Color
7010-03 1	Silicon	White
7010-03 2	EPDM	Black
7010-03 3	FPM	Black

Item	Description	Material	Qty
1	Frame	1.4301/1.4404	1
2	Cover	1.4301/1.4404	1
3	Gasket	Silicon	1
4	Bracket	T304	1
5	Handle	Plastic/T304	1
6	Swing bolt	T304	1
7	Pin	T304	3
8	Lock ring	T304	3
9	Back hinge support	T304	1
10	Screw	T304	1
11	Nut	T304	1

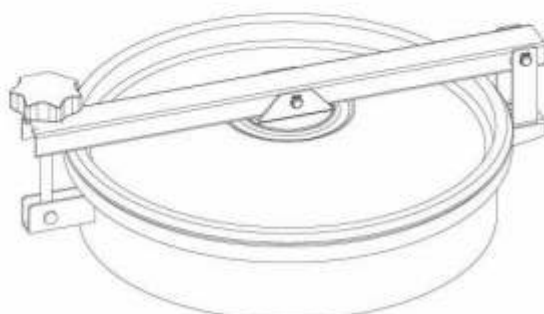
## CNPC Technology

### TECHNICAL DATA

Working pressure: . . . . . Acc. to table standard size.

### Certificates

3.1 certificate



## Options

### Stainless Steel Finishes

- POLISHED WITH RA ( $\mu$ )
- BEAD BLASTED
- PICKLED : ON REQUEST
- ELECTRO POLISHED






### Cover & Frame Range

Cover Thickness	Frame/Neck Height
2.0mm	85mm (3.35")
2.5mm	100mm (3.94")
	120mm (4.72")
	150mm (5.91")
	200mm (7.76")
	250mm (9.85")

Note: Longer heights are also available.



# CNPD type

-  Non-pressure hygienic access covers
-  Trappes sans pression
-  Drucklose Domdeckel
-  Bocas de hombre sin presión
-  Chiusino circolare



- ◆ 7015 350
- ◆ 7015 400
- ◆ 7015 450

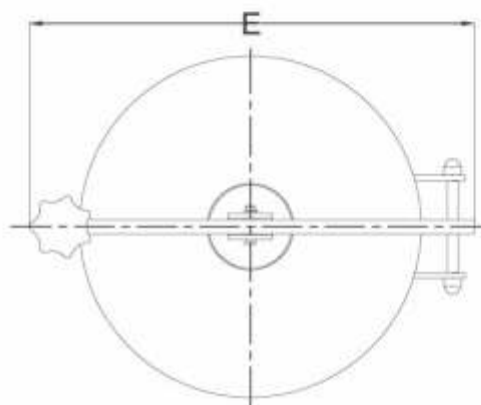
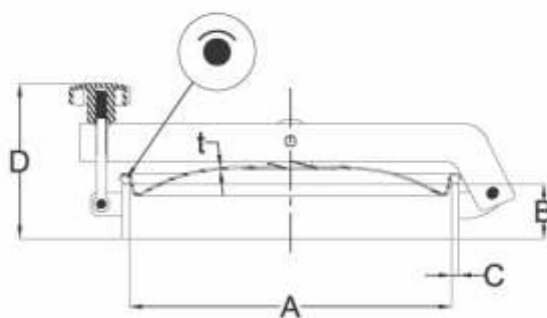


## STANDARD SIZE/\* At temperature 50°C / 122 °F

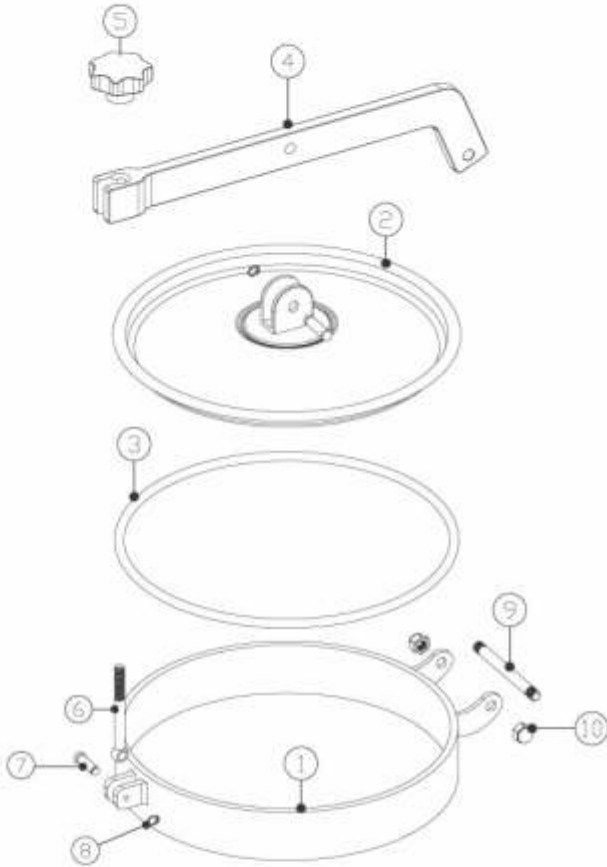
CODE	A	OD×C	B	t	P.MAX
	mm	mm	mm	mm	bar
7015 350	334	350×8.0	85	2.0	0.2
7015 400	384	400×8.0	85	2.0	0.12
7015 450	434	450×8.0	85	2.0	0.1

IF YOU WANT TO CHECK FOR MORE DETAILS  
PLEASE CHECK THE FOLLOWING DRAWING

\*1BAR =14.5PSI=0.1MPA



## CNPD Parts Drawing



GASKET		
Part No.	Material	Color
7010-02 1	Silicon	White
7010-02 2	EPDM	Black
7010-02 3	FPM	Black

Item	Description	Material	Qty
1	Frame	1.4301/1.4404	1
2	Cover	1.4301/1.4404	1
3	Gasket	Silicon	1
4	Bracket	T304	1
5	Handle	Plastic/T304	1
6	Swing bolt	T304	1
7	Pin	T304	2
8	Lock ring	T304	2
9	Screw	T304	1
10	Nut	T304	2

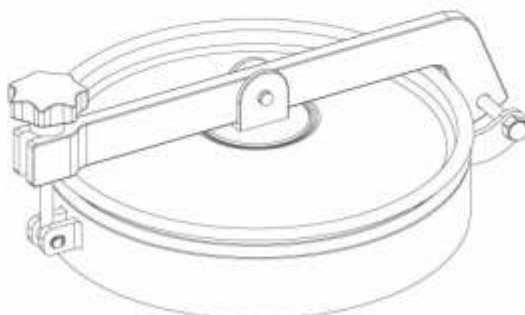
## CNPD Technology

### TECHNICAL DATA

Working pressure: . . . . . Acc. to table standard size.

### Certificates

3.1 certificate



## Options

### Stainless Steel Finishes

POLISHED WITH RA ( $\mu$ )

BEAD BLASTED

PICKLED : ON REQUEST






ELECTRO POLISHED

### Cover & Frame Range

Cover Thickness	Frame/Neck Height
2.0mm	85mm (3.35")
2.5mm	100mm (3.94")
	120mm (4.72")

Note: Longer heights are also available.

# CNPE type

-  Non-pressure hygienic access covers
-  Trappes sans pression
-  Drucklose Domdeckel
-  Bocas de hombre sin presión
-  Chiusino circolare



- ◆ 7016 450
- ◆ 7016 500
- ◆ 7016 600

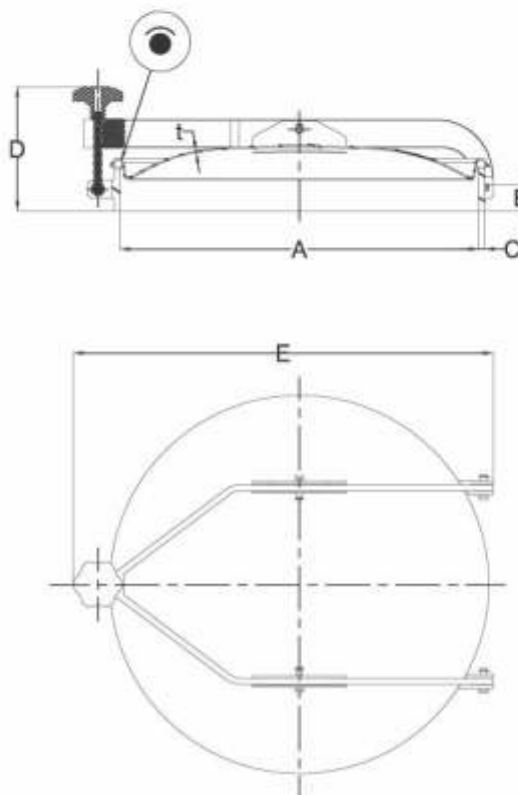


## STANDARD SIZE/\* At temperature 50°C / 122 °F

CODE	A	OD×C	B	T	P.MAX
	mm	mm	mm	mm	bar
7016 450	434	450×8.0	85	2.0	0.4
7016 500	484	500×8.0	85	2.0	0.3
7016 600	584	600×8.0	85	2.0	0.2






IF YOU WANT TO CHECK FOR MORE DETAILS  
PLEASE CHECK THE FOLLOWING DRAWING

\*1BAR = 14.5PSI=0.1MPA



# SERC type



-  Round manhole cover with back-side opening
-  Trappe RONDE avec ouverture par renversement
-  Runder Domdeckel, nach außen öffnend
-  Tapa circular con apertura vertical
-  Chiusino circolare apertura a ribaltamento



- ◆ 7017 350
- ◆ 7017 400
- ◆ 7017 430
- ◆ 7017 450
- ◆ 7017 500
- ◆ 7017 600

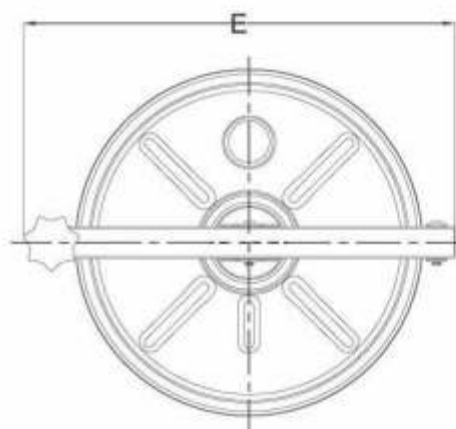
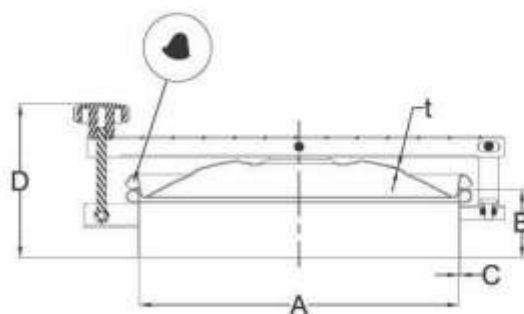


**STANDARD SIZE/\*** At temperature 50°C / 122 °F

CODE	A	OD×C	B	T	P.MAX
	mm	mm	mm	mm	bar
7017 350	346	350×2.0	85	2.0	0.3
7017 400	396	400×2.0	85	2.0	0.2
7017 430	426	430×2.0	85	2.0	0.15
7017 450	446	450×2.0	85	2.0	0.12
7017 500	496	500×2.0	85	2.0	0.07
7017 600	596	600×2.0	85	2.0	0

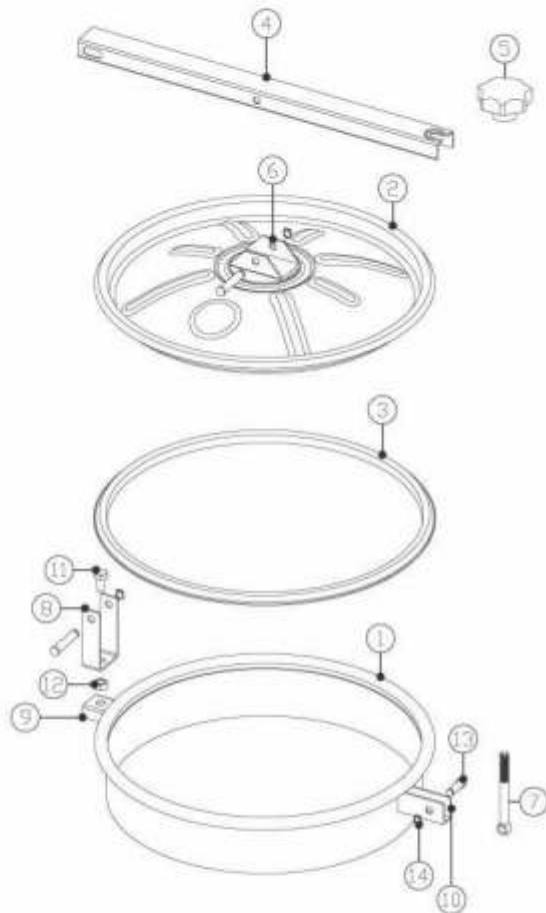
IF YOU WANT TO CHECK FOR MORE DETAILS  
PLEASE CHECK THE FOLLOWING DRAWING

\*1BAR = 14.5PSI=0.1MPA



# SERC type

## SERC Parts Drawing



### GASKET

Part No.	Material	Color
7010-03 1	Silicon	White
7010-03 2	EPDM	Black
7010-03 3	FPM	Black

Item	Description	Material	Qty
1	Frame	1.4301/1.4404	1
2	Cover	1.4301/1.4404	1
3	Gasket	Silicon	1
4	Bracket	304	1
5	Handle	Plastic/T304	1
6	Up hinge support	T304	1
7	Swing bolt	T304	1
8	Back hinge support	T304	1
9	Back hinge support	T304	1
10	Front hinge support	T304	1
11	Screw	T304	1
12	Nut	T304	1
13	Pin	T304	3
14	Lock ring	T304	3

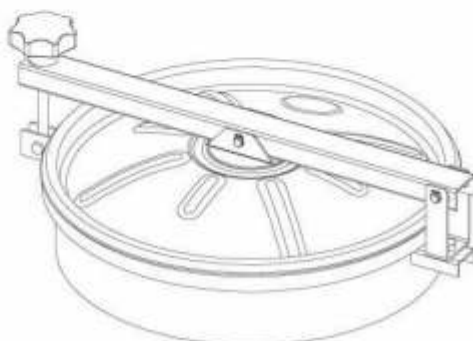
## SERC Technology

### TECHNICAL DATA

Working pressure: . . . . . Acc. to table standard size.

### Certificates

3.1 certificate



## Options

### Stainless Steel Finishes

POLISHED WITH RA (μ)

BEAD BLASTED

PICKLED : ON REQUEST

ELECTRO POLISHED

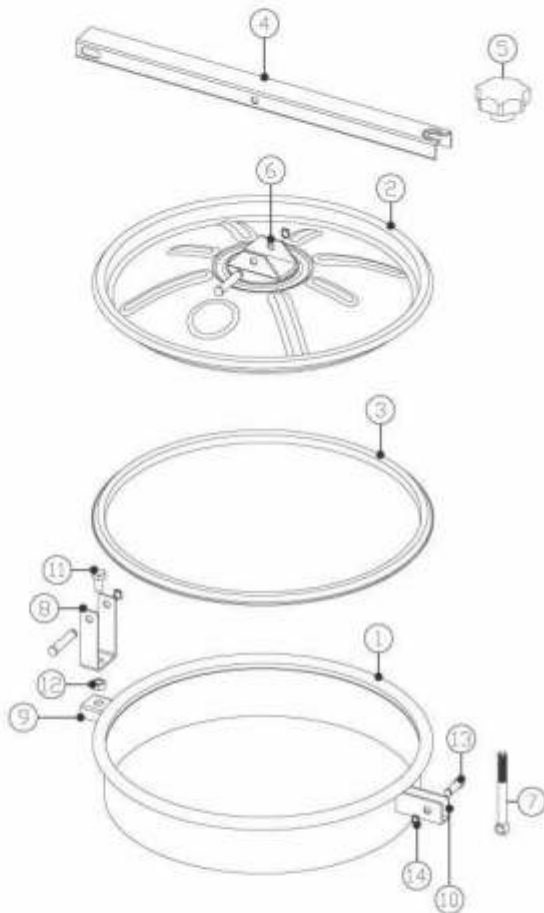
### Cover & Frame Range

Cover Thickness	Frame/Neck Height
2.0mm	85mm (3.35")
2.5mm	100mm (3.94")
	120mm (4.72")
	150mm (5.91")
	200mm (7.76")
	250mm (9.85")

Note: Longer heights are also available.

# SERC type

## SERC Parts Drawing



### GASKET

Part No.	Material	Color
7010-03 1	Silicon	White
7010-03 2	EPDM	Black
7010-03 3	FPM	Black

Item	Description	Material	Qty
1	Frame	1.4301/1.4404	1
2	Cover	1.4301/1.4404	1
3	Gasket	Silicon	1
4	Bracket	304	1
5	Handle	Plastic/T304	1
6	Up hinge support	T304	1
7	Swing bolt	T304	1
8	Back hinge support	T304	1
9	Back hinge support	T304	1
10	Front hinge support	T304	1
11	Screw	T304	1
12	Nut	T304	1
13	Pin	T304	3
14	Lock ring	T304	3

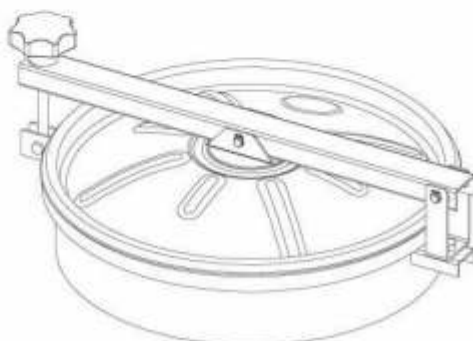
## SERC Technology

### TECHNICAL DATA

Working pressure: . . . . . Acc. to table standard size.

### Certificates

3.1 certificate



## Options

### Stainless Steel Finishes

- POLISHED WITH RA (μ)
- BEAD BLASTED
- PICKLED : ON REQUEST
- ELECTRO POLISHED

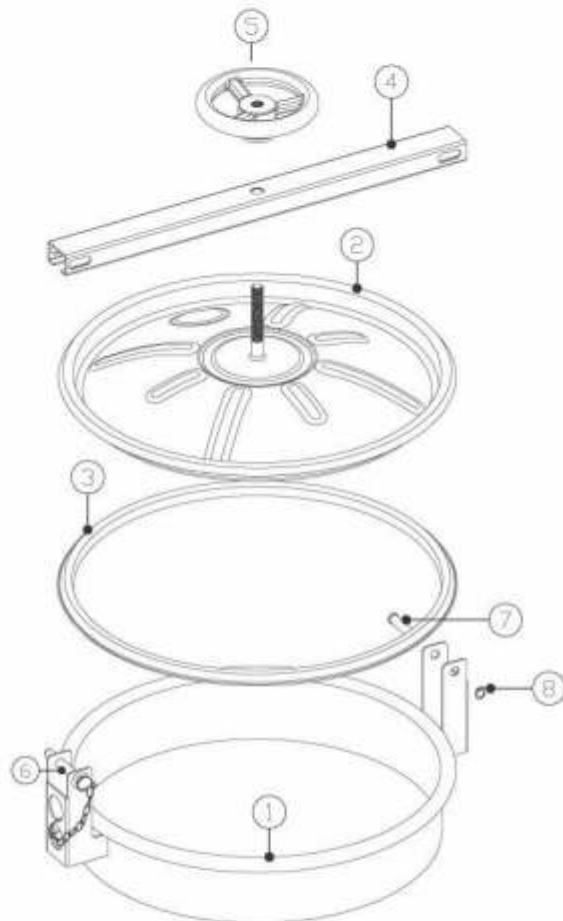
### Cover & Frame Range

Cover Thickness	Frame/Neck Height
2.0mm	85mm (3.35")
2.5mm	100mm (3.94")
	120mm (4.72")
	150mm (5.91")
	200mm (7.76")
	250mm (9.85")

Note: Longer heights are also available.

# SERD type

## SERD Parts Drawing



### GASKET

Part No.	Material	Color
7010-03 1	Silicon	White
7010-03 2	EPDM	Black
7010-03 3	FPM	Black

Item	Description	Material	Qty
1	Frame	1.4301/1.4404	1
2	Cover	1.4301/1.4404	1
3	Gasket	Silicon	1
4	Bracket	304	1
5	Hand wheel	Plastic/T304	1
6	Pin Lock	T304	1
7	Pin	T304	1
8	Lock ring	T304	1

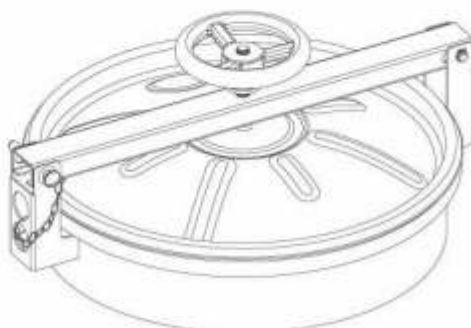
## SERD Technology

### TECHNICAL DATA

Working pressure: . . . . . Acc. to table standard size.

### Certificates

3.1 certificate



## Options

### Stainless Steel Finishes

- POLISHED WITH RA (μ)
- BEAD BLASTED
- PICKLED : ON REQUEST
- ELECTRO POLISHED






### Cover & Frame Range

Cover Thickness	Frame/Neck Height
2.0mm	85mm (3.35")
2.5mm	100mm (3.94")
	120mm (4.72")
	150mm (5.91")
	200mm (7.76")
	250mm (9.85")

Note: Longer heights are also available.

# NLIW type

todo de  
inoxidable

-  Round manhole cover with glass pane
-  Trappe ronde avec le verre
-  Runder Domdeckel mit Glasscheibe
-  Tapa circular con el vidrio
-  Chiusino circolare con vetro



- ◆ 7019 450
- ◆ 7019 500
- ◆ 7019 550
- ◆ 7019 600

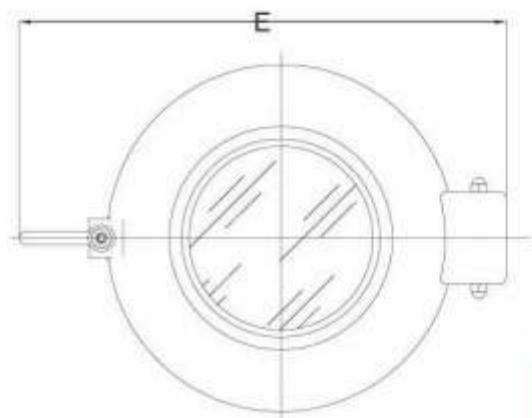
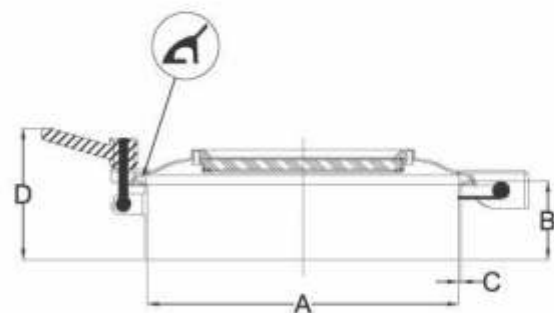


**STANDARD SIZE/\*** At temperature 50°C / 122 °F

CODE	A	OD×C	B	P.MAX
	mm	mm	mm	bar
7019 450	444	450×3.0	100	0.2
7019 500	494	500×3.0	100	0.15
7019 550	544	550×3.0	100	0.07
7019 600	594	600×3.0	100	0

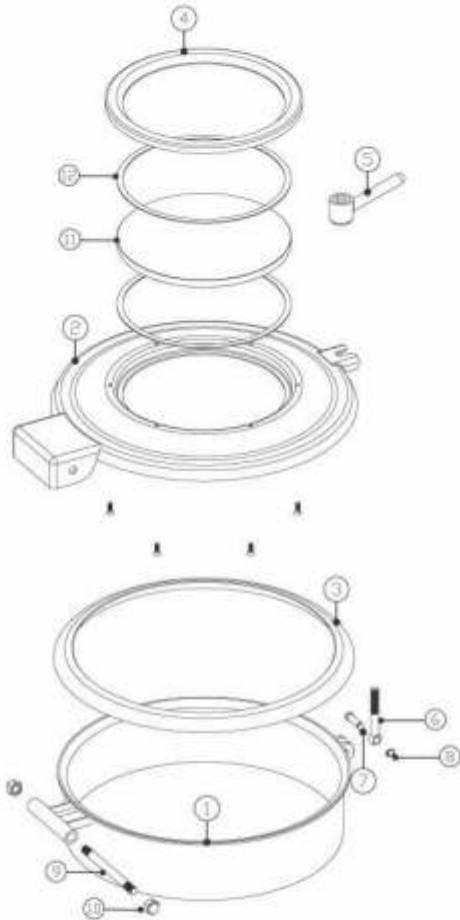
IF YOU WANT TO CHECK FOR MORE DETAILS  
PLEASE CHECK THE FOLLOWING DRAWING

\*1BAR =14.5PSI=0.1MPA





## NLIW Parts Drawing



GASKET		
Part No.	Material	Color
7010-01 1	Silicon	White
7010-01 2	EPDM	Black
7010-01 3	FPM	Black

Item	Description	Material	Qty
1	Frame	1.4301/1.4404	1
2	Cover	1.4301/1.4404	1
3	Gasket	Silicon	1
4	Top flange	T304	1
5	Handle	1.4301	1
6	Swing bolt	T304	1
7	Pin	T304	1
8	Lock ring	T304	1
9	Screw	T304	1
10	Nut	T304	2
11	Glass	Tempered glass	1
12	Seal	PTFE	2

## NLIW Technology

### TECHNICAL DATA

Working pressure: . . . . . Acc. to table standard size

### Certificates

EN10204. 3.1 certificate



## Options

### Stainless Steel Finishes

POLISHED WITH RA ( $\mu$ )

BEAD BLASTED

PICKLED : ON REQUEST

ELECTRO POLISHED






### Cover & Frame Range

Cover Thickness	Frame/Neck Height
2.5mm	85mm (3.35")
3.0mm	100mm (3.94")
	120mm (4.72")
	150mm (5.91")
	200mm (7.76")
	250mm (9.85")

Note: Longer heights are also available.

# LIWI type



-  Round pressure covers with glass pane
-  Trappe hublot à pression avec le verre
-  Runder Druckdeckel mit Glasscheibe
-  Tapa circular a presión con el vidrio
-  Chiusino circolare a pressione con vetro



- ◆ 7020 200
- ◆ 7020 300
- ◆ 7020 400
- ◆ 7020 450
- ◆ 7020 500
- ◆ 7020 600

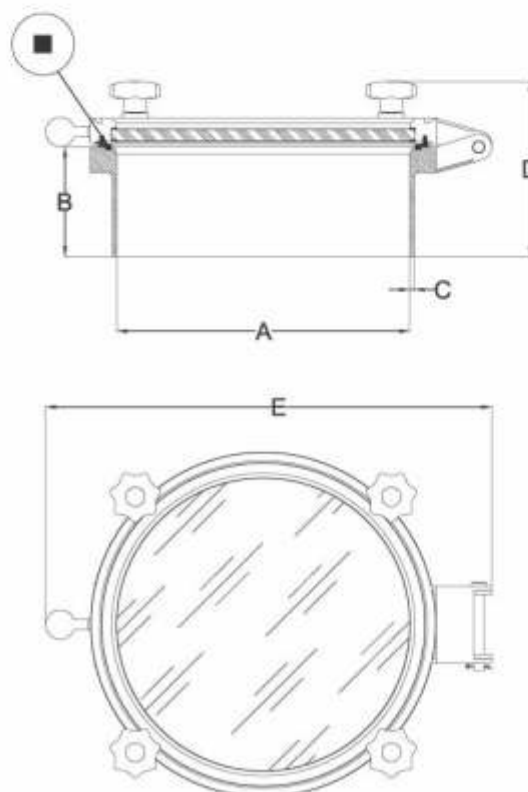


**STANDARD SIZE/\*** At temperature 50°C / 122 °F

CODE	A	OD×C	BOLTS	B	P.MAX
	mm	mm	No. of	mm	bar
7020 200	200	206×3.0	4	100	2.5
7020 300	300	306×3.0	4/6	100	2.0
7020 400	400	406×3.0	4/6	100	1.5
7020 450	450	456×3.0	4/6	100	1.5
7020 500	500	506×3.0	4/6	100	1.0
7020 600	600	606×3.0	4/6	100	0.5

IF YOU WANT TO CHECK FOR MORE DETAILS  
PLEASE CHECK THE FOLLOWING DRAWING

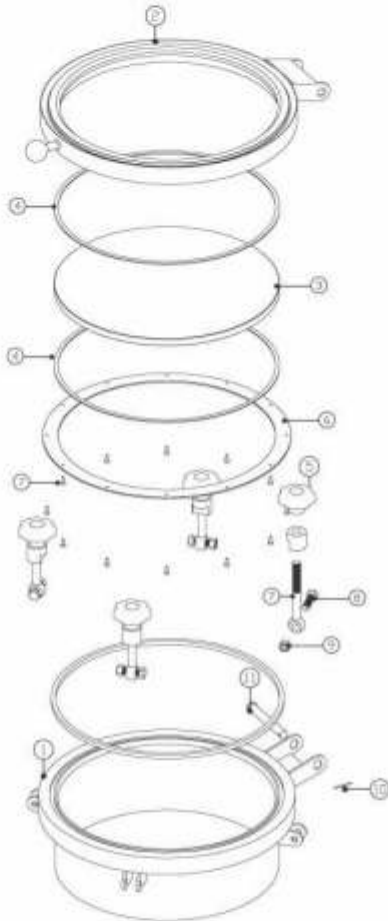
\*1BAR =14.5PSI=0.1MPA



# LIWI type



## LIWI Parts Drawing



GASKET		
Part No.	Material	Color
7010-04 1	Silicon	White
7010-04 2	EPDM	Black
7010-04 3	FPM	Black

Item	Description	Material	Qty
1	Frame	1.4301/1.4404	1
2	Cover	1.4301/1.4404	1
3	Glass	Tempered glass	1
4	Seal	PTFE	2
5	Handle	Plastic/1.4301	4
6	Flange	T304	1
7	Swing bolt	T304	4
8	Screw	T304	4
9	Nut	T304	4
10	Cotter Pin	T304	1
11	Pin	T304	1

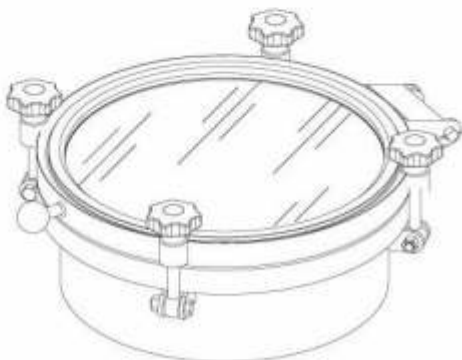
## LIWI Technology

### TECHNICAL DATA

Working pressure: . . . . . Acc. to table standard size.

### Certificates

EN10204. 3.1 certificate



## Options

### Stainless Steel Finishes

POLISHED WITH RA (μ)

BEAD BLASTED

PICKLED : ON REQUEST






ELECTRO POLISHED

### Cover & Frame Range

Cover Thickness	Frame/Neck Height
20mm	85mm (3.35")
22mm	100mm (3.94")
35mm	120mm (4.72")
	150mm (5.91")
	200mm (7.76")
	250mm (9.85")

Note: Longer heights are also available.

# LIWEI type

-  Round pressure covers with glass pane
-  Trappe hublot à pression avec le verre
-  Runder Druckdeckel mit Glasscheibe
-  Tapa circular a presión con el vidrio
-  Chiusino circolare a pressione con vetro



- ◆ 7021 200
- ◆ 7021 300
- ◆ 7021 400
- ◆ 7021 450
- ◆ 7021 500
- ◆ 7021 600

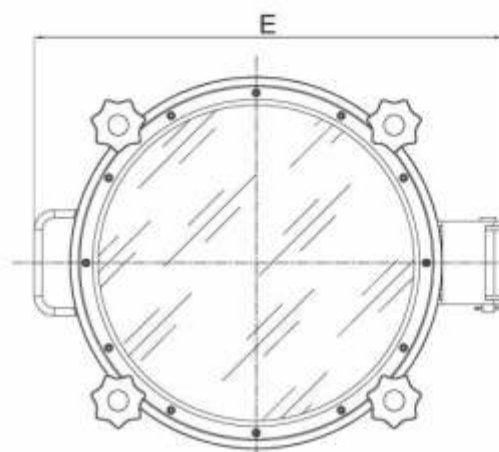
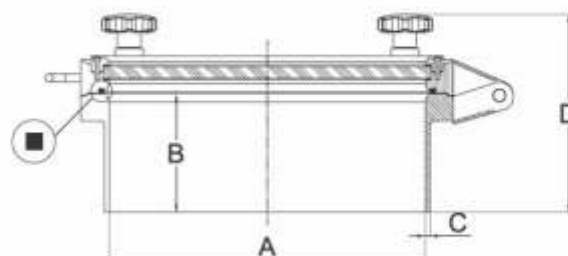


**STANDARD SIZE/\*** At temperature 50°C / 122 °F

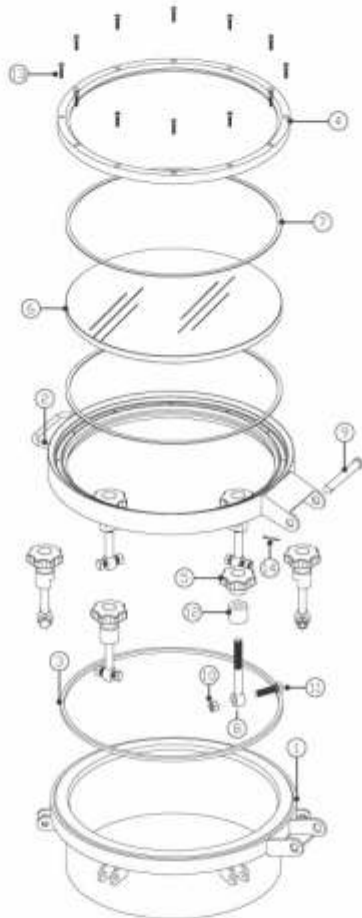
CODE	A	OD×C	BOLTS	B	P.MAX
	mm	mm	No. of	mm	bar
7021 200	200	206×3.0	4	100	2.5
7021 300	300	306×3.0	4/6	100	2.0
7021 400	400	406×3.0	4/6	100	1.5
7021 450	450	456×3.0	4/6	100	1.5
7021 500	500	506×3.0	4/6	100	1.0
7021 600	600	606×3.0	4/6	100	0.5

IF YOU WANT TO CHECK FOR MORE DETAILS  
PLEASE CHECK THE FOLLOWING DRAWING

\*1BAR =14.5PSI=0.1MPA



## LIWEI Parts Drawing



GASKET		
Part No.	Material	Color
7010-04 1	Silicon	White
7010-04 2	EPDM	Black
7010-04 3	FPM	Black

Item	Description	Material	Qty
1	Frame	1.4301/1.4404	1
2	Cover	1.4301/1.4404	1
3	Gasket	Silicon	1
4	Flange	T304	1
5	Handle	Plastic/1.4301	6
6	Sight glass	Tempered glass	1
7	Seal	PTFE	2
8	Swing bolt	T304	6
9	Pin	T304	1
10	Nut	T304	6
11	Screw	T304	6
12	Hub	T304	6
13	Screw	T304	12
14	Cotter Pin	T304	1

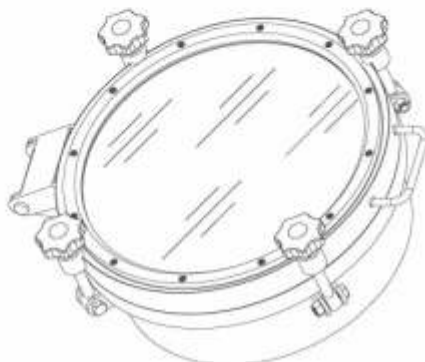
## LIWEI Technology

### TECHNICAL DATA

Working pressure: . . . . . Acc. to table standard size.

### Certificates

EN10204. 3.1 certificate



## Options

### Stainless Steel Finishes

POLISHED WITH RA ( $\mu$ )

BEAD BLASTED

PICKLED : ON REQUEST

ELECTRO POLISHED






### Cover & Frame Range

Cover Thickness	Frame/Neck Height
20mm	85mm (3.35")
22mm	100mm (3.94")
35mm	120mm (4.72")
	150mm (5.91")
	200mm (7.76")
	250mm (9.85")

Note: Longer heights are also available.

# LPSD type

todo de  
**inoxidable**

-  Pressure round external manlids
-  Portes extérieures rondes à pression
-  Runde Außentüren mit Druck
-  Puertas exteriores redondas con presión
-  Chiusino superiore con graffe di chiusura



- ◆ 7022 200
- ◆ 7022 300
- ◆ 7022 350
- ◆ 7022 400
- ◆ 7022 430
- ◆ 7022 450
- ◆ 7022 500
- ◆ 7022 600

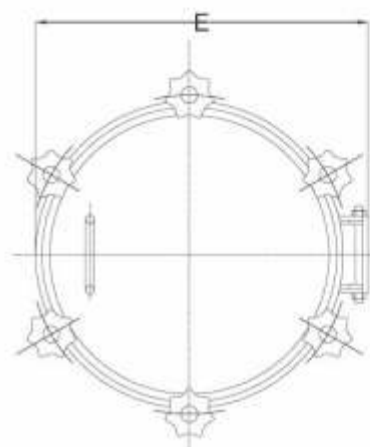
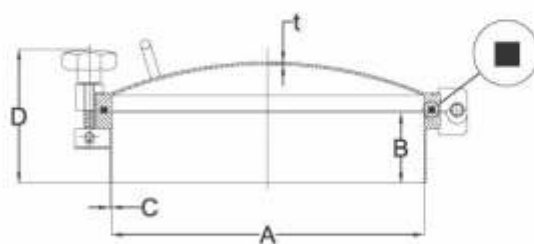


**STANDARD SIZE/\*** At temperature 50°C / 122 °F

CODE	A	OD×C	BOLTS	B	t	P.MAX
	mm	mm	No. of	mm	mm	bar
7022 200	200	206×3.0	4	100	3.0	5.5
7022 300	300	306×3.0	4/6	100	3.0	5.5
7022 350	350	356×3.0	4/6	100	3.0	5
7022 400	450	456×3.0	4/6/8	100	3.0	4
7022 430	430	436×3.0	4/6/8	100	3.0	4
7022 450	450	456×3.0	6/8/10	100	3.0	3.5
7022 500	500	506×3.0	6/8/10	100	3.0	2.5
7022 600	600	606×3.0	6/8/10/12	100	4.0	2

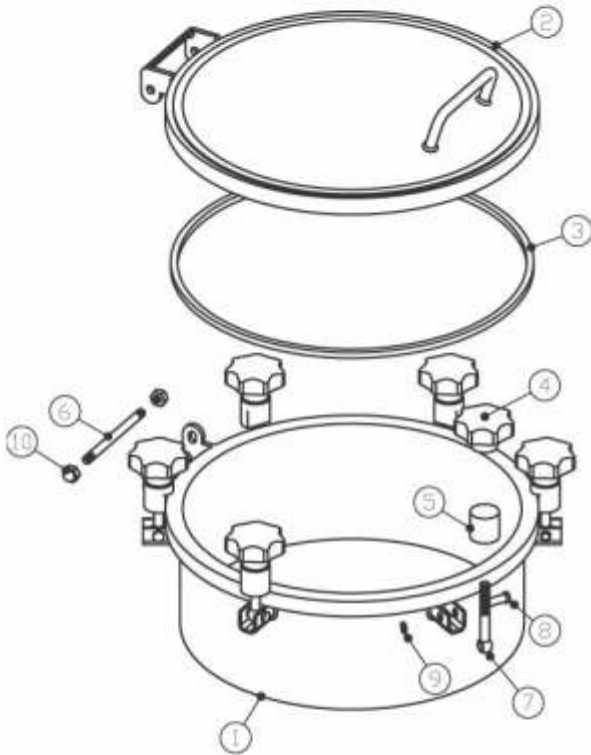
IF YOU WANT TO CHECK FOR MORE DETAILS  
PLEASE CHECK THE FOLLOWING DRAWING

\*1BAR =14.5PSI=0.1MPA



# LPSD type

## LPSD Parts Drawing



### GASKET

Part No.	Material	Color
7010-04 1	Silicon	White
7010-04 2	EPDM	Black
7010-04 3	FPM	Black

Item	Description	Material	Qty
1	Frame	1.4301/1.4404	1
2	Cover	1.4301/1.4404	1
3	Gasket	Silicon	1
4	Handle	Plastic/1.4301	6
5	Hub	T304	6
6	Screw	T304	1
7	Swing Bolt	T304	6
8	Pin	T304	6
9	Lock Ring	T304	6
10	Nut	T304	2

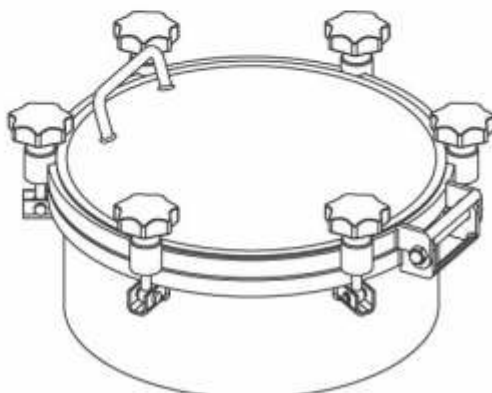
## LPSD Technology

### TECHNICAL DATA

Working pressure: . . . . . Acc. to table standard size.

### Certificates

EN10204, 3.1 certificate



## Options

### Stainless Steel Finishes

POLISHED WITH RA ( $\mu$ )

BEAD BLASTED

PICKLED : ON REQUEST

ELECTRO POLISHED






### Cover & Frame Range

Cover Thickness	Frame/Neck Height
3.0 mm	85mm (3.35")
3.5 mm	100mm (3.94")
4.0 mm	120mm (4.72")
	150mm (5.91")
	200mm (7.76")
	250mm (9.85")

Note: Longer heights are also available.

# HPSD type

todo de  
**inoxidable**

-  Pressure round external manlids
-  Portes extérieures rondes à pression
-  Runde Außentüren mit Druck
-  Puertas exteriores redondas con presión
-  Chiusino superiore con graffe di chiusura



- ◆ 7023 200
- ◆ 7023 300
- ◆ 7023 350
- ◆ 7023 400
- ◆ 7023 430
- ◆ 7023 450
- ◆ 7023 500

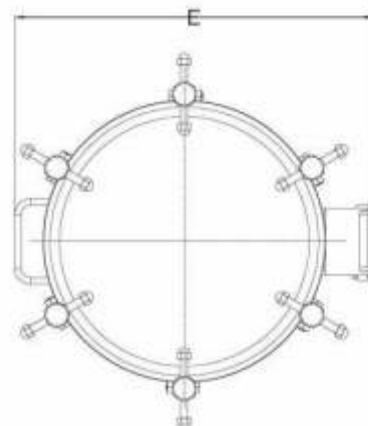
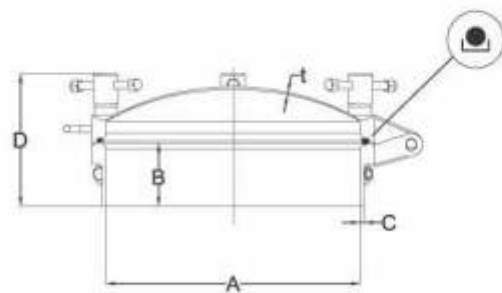


## STANDARD SIZE/\* At temperature 50°C / 122 °F

CODE	A	OD×C	BOLTS	B	T	P.MAX
	mm	mm	No. of	mm	mm	bar
7023 200	200	208×4.0	4	100	3.5	7.0
7023 300	300	308×4.0	4/6	100	3.5	6.5
7023 350	350	358×4.0	4/6	100	3.5	6.0
7023 400	450	458×4.0	4/6/8	100	3.5	5.5
7023 430	430	438×4.0	4/6/8	100	3.5	5.5
7023 450	450	458×4.0	6/8/10	100	3.5	5.0
7023 500	500	510×5.0	6/8/10	100	4.0	4.5

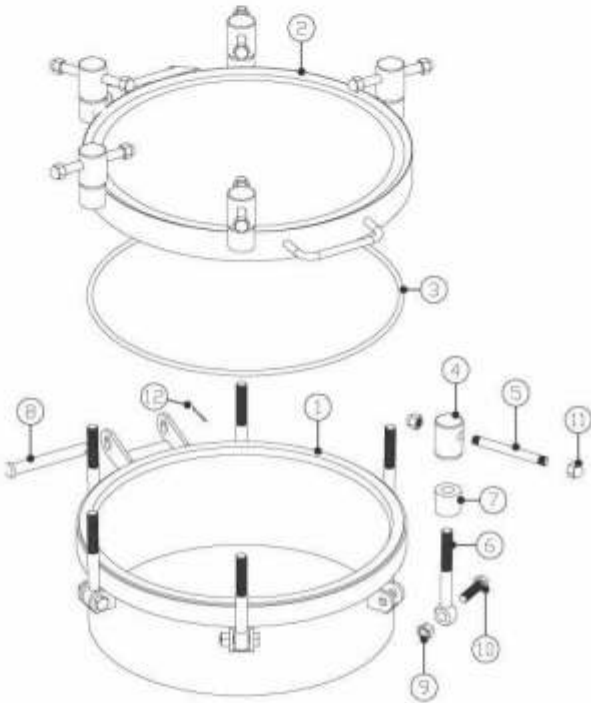
IF YOU WANT TO CHECK FOR MORE DETAILS  
PLEASE CHECK THE FOLLOWING DRAWING

\*1BAR = 14.5PSI=0.1MPA





## HPSD Parts Drawing



GASKET		
Part No.	Material	Color
7010-09 1	Silicon	White
7010-09 2	EPDM	Black
7010-09 3	FPM	Black

Item	Description	Material	Qty
1	Frame	1.4301/1.4404	1
2	Cover	1.4301/1.4404	1
3	Gasket	Silicon	1
4	Handle part	T304	6
5	Screw	T304	6
6	Swing bolt	T304	6
7	Hub	T304	6
8	Pin	T304	1
9	Nut	T304	6
10	Screw	T304	6
11	Nut	T304	12
12	Cotter Pin	T304	1

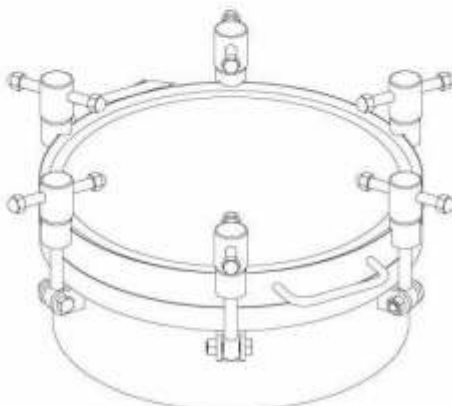
## HPSSD Technology

### TECHNICAL DATA

Working pressure: . . . . . Acc. to table standard size.

### Certificates

EN10204. 3.1 certificate



## Options

### Stainless Steel Finishes

- POLISHED WITH RA (μ)
- BEAD BLASTED
- PICKLED : ON REQUEST
- ELECTRO POLISHED






### Cover & Frame Range

Cover Thickness	Frame/Neck Height
3.0 mm	85mm (3.35")
3.5 mm	100mm (3.94")
4.0 mm	120mm (4.72")
	150mm (5.91")
	200mm (7.76")
	250mm (9.85")

Note: Longer heights are also available.

# JPSD type

todo de  
**inoxidable**

-  Non-pressure hygienic access covers
-  Trappes aseptiques sans pression
-  Drucklose Domdeckel, steril
-  Bocas de hombre asépticas sin presión
-  Chiusino circolare



♦ 7024 450

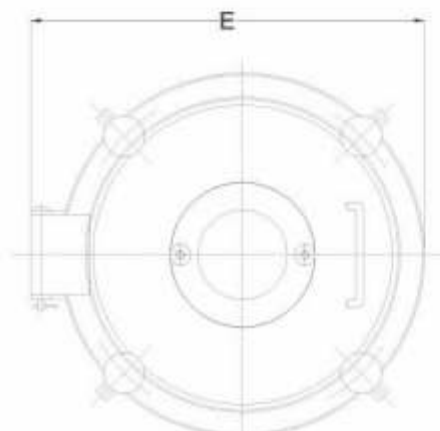
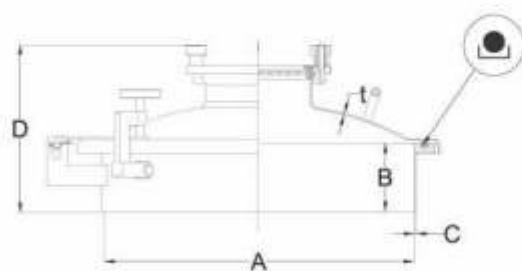


**STANDARD SIZE/\*** At temperature 50°C / 122 °F

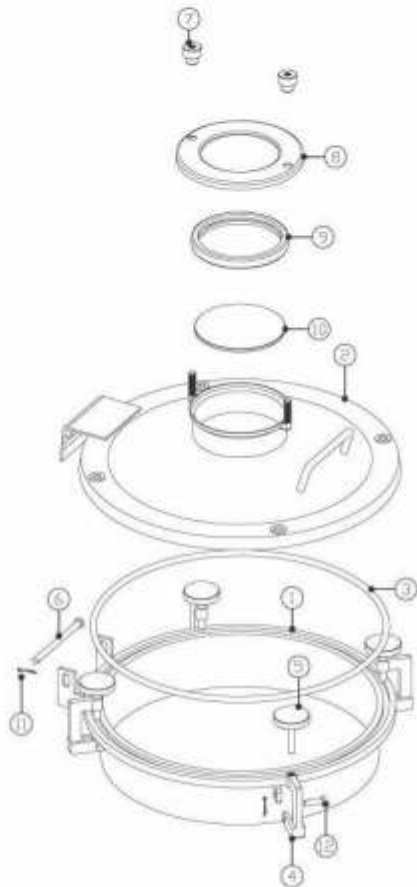
CODE	A	OD×C	B	T	P.MAX
	mm	mm	mm	mm	bar
7024 450	450	456×3.0	100	3.0	0.3

IF YOU WANT TO CHECK FOR MORE DETAILS  
PLEASE CHECK THE FOLLOWING DRAWING

\*1BAR =14.5PSI=0.1MPA



## JPSD Parts Drawing



GASKET		
Part No.	Material	Color
7010-09 1	Silicon	White
7010-09 2	EPDM	Black
7010-09 3	FPM	Black

Item	Description	Material	Qty
1	Frame	1.4301/1.4404	1
2	Cover	1.4301/1.4404	1
3	Gasket	Silicon	1
4	Support	T304	4
5	Handle	T304	4
6	Pin	T304	1
7	Nut	T304	2
8	SG cover	T304	1
9	SG seal	Silicon	1
10	Sight glass	Tempered glass	1
11	Cotter Pin	T304	5
12	Pin	T304	4

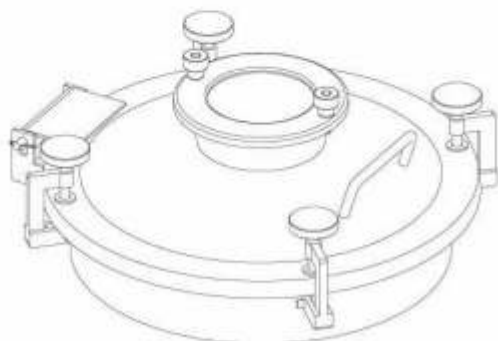
## JPSD Technology

### TECHNICAL DATA

Working pressure: . . . . . Acc. to table standard size.

### Certificates

EN10204. 3.1 certificate



## Options

### Stainless Steel Finishes

POLISHED WITH RA ( $\mu$ )

BEAD BLASTED

PICKLED : ON REQUEST

ELECTRO POLISHED






### Cover & Frame Range

Cover Thickness	Frame/Neck Height
2.5mm	85mm (3.35")
3.0mm	100mm (3.94")
	120mm (4.72")
	150mm (5.91")
	200mm (7.76")
	250mm (9.85")

Note: Longer heights are also available.

# CIWD type



-  Round autoclave manlids
-  Portes autoclaves rondes
-  Runde Autoklaventüren
-  Puertas autoclaves redondas
-  Chiusino circolare



- ◆ 7025 430
- ◆ 7025 450
- ◆ 7025 500
- ◆ 7025 600

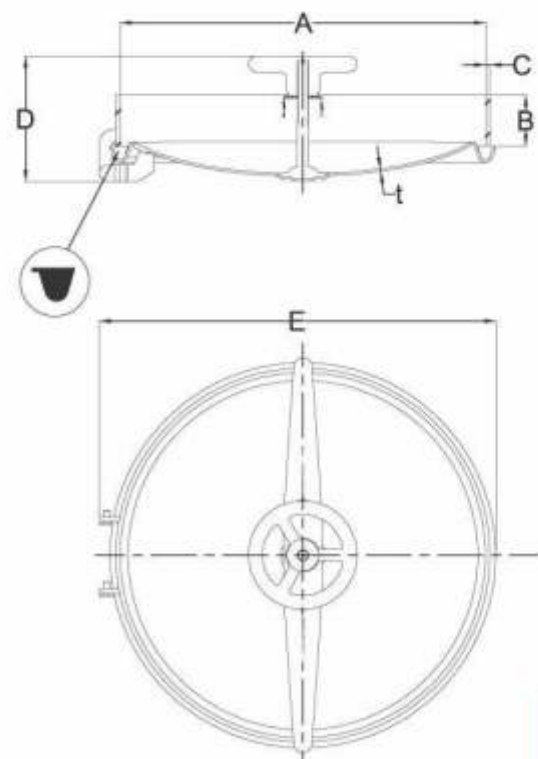


## STANDARD SIZE/\* At temperature 50°C / 122 °F

CODE	A	OD×C	B	T	P.MAX
	mm	mm	No. of	mm	bar
7025 430	420	430×5.0	100	3.0	0.12
7025 450	440	450×5.0	100	3.0	0.11
7025 500	490	500×5.0	100	3.0	0.1
7025 600	590	600×5.0	100	3.0	0

IF YOU WANT TO CHECK FOR MORE DETAILS  
PLEASE CHECK THE FOLLOWING DRAWING

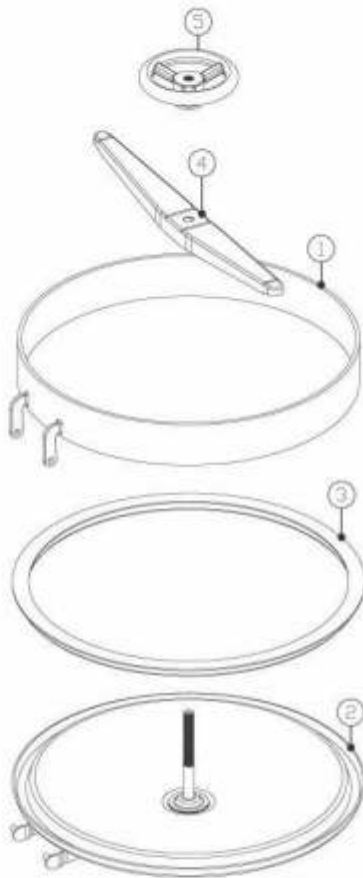
\*1BAR =14.5PSI=0.1MPA



# CIWD type



## CIWD Parts Drawing



GASKET		
Part No.	Material	Color
7010-05 1	Silicon	White
7010-05 2	EPDM	Black
7010-05 3	FPM	Black

Item	Description	Material	Qty
1	Frame	1.4301/1.4404	1
2	Cover	1.4301/1.4404	1
3	Gasket	Silicon	1
4	Bracket	T304	1
5	Handle	Plastic/T304	1

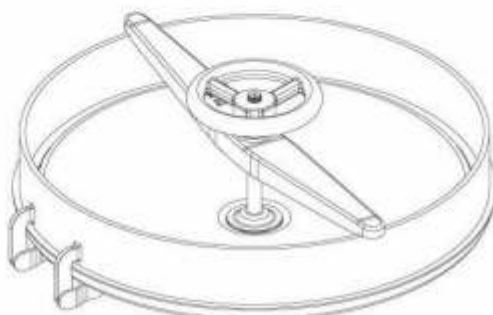
## CIWD Technology

### TECHNICAL DATA

Working pressure: . . . . . Acc. to table standard size.

### Certificates

EN10204. 3.1 certificate



## Options

### Stainless Steel Finishes

POLISHED WITH RA ( $\mu$ )

BEAD BLASTED

PICKLED : ON REQUEST

ELECTRO POLISHED






### Cover & Frame Range

Cover Thickness	Frame/Neck Height
2.0mm	85mm (3.35")
2.5mm	100mm (3.94")
3.0mm	120mm (4.72")

Note: Longer heights are also available.

# NKD type



-  **OVAL Manwaydoor inwards opening**
-  **Porte OVALE avec ouverture à l'intérieur**
-  **Ovale Mannlochtür, schwenkbar nach innen (Innenöffnung)**
-  **Puerta OVAL de apertura interna**
-  **Portella Ovale apertura interna**



- ◆ 7026 430
- ◆ 7026 450
- ◆ 7026 535
- ◆ 7026 635

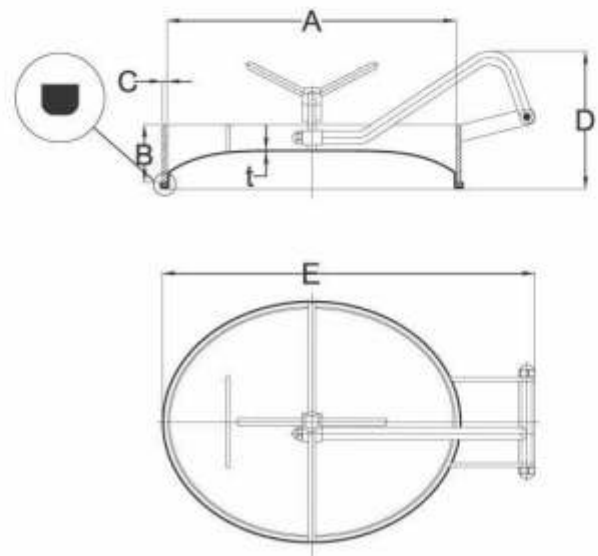


## STANDARD SIZE/\* At temperature 50°C / 122 °F

CODE	A	C	B	T	P.MAX
	mm	mm	mm	mm	bar
7026 430	412×312	8	75	2.5/3.0	3.0
7026 450	434×334	8	75	3.0	2.5
7026 535	515×415	10	75	3.0	2
7026 635	611×501	12	100	4.0	1.5

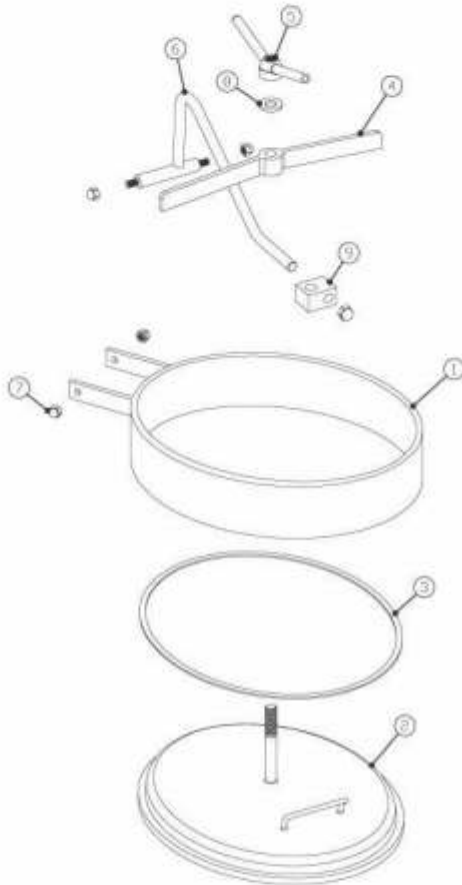
IF YOU WANT TO CHECK FOR MORE DETAILS  
PLEASE CHECK THE FOLLOWING DRAWING

\*1BAR =14.5PSI=0.1MPA



# NKD type

## NKD Parts Drawing



GASKET		
Part No.	Material	Color
7010 06 1	Silicon	White
7010 06 2	EPDM	Black
7010 06 3	FPM	Black

Item	Description	Material	Qty
1	Frame	1.4301/1.4404	1
2	Cover	1.4301/1.4404	1
3	Gasket	EPDM	1
4	Bracket	T304	1
5	Top nut	Plastic/T304	1
6	Suspension arm	T304	1
7	Nut	T304	5
8	Trust collar	T304	1
9	Hub	T304	1

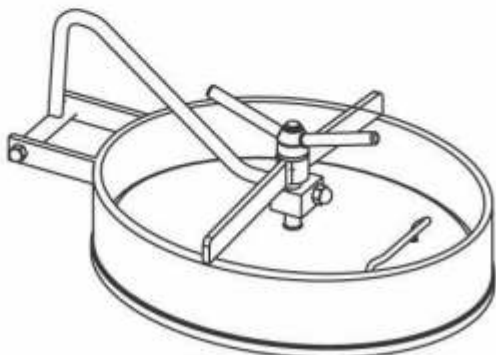
## NKD Technology

### TECHNICAL DATA

Working pressure: . . . . . Acc. to table standard size.

### Certificates

EN10204. 3.1 certificate



## Options

### Stainless Steel Finishes

- POLISHED WITH RA ( $\mu$ )
- BEAD BLASTED
- PICKLED : ON REQUEST
- ELECTRO POLISHED






### Cover & Frame Range

Cover Thickness	Frame/Neck Height
2.5mm	75mm (2.95")
3.0mm	100mm (3.94")
4.0mm	120mm (4.72")
	150mm (5.91")
	200mm (7.76")

Note: Longer heights are also available.

# NKA type



-  OVAL Manwaydoor inwards opening
-  Porte OVALE avec ouverture à l'intérieur
-  Ovale Mannlochtür, schwenkbar nach innen (Innenöffnung)
-  Puerta OVAL de apertura interna
-  Portella Ovale apertura interna



- ◆ 7027 555
- ◆ 7027 565
- ◆ 7027 580

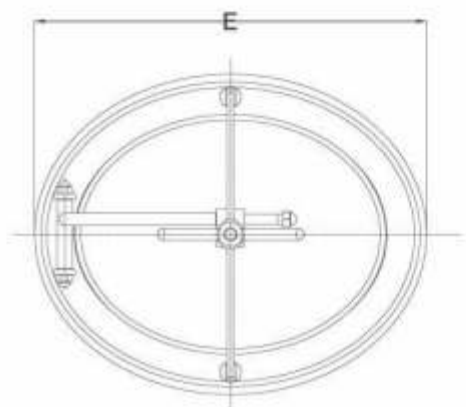
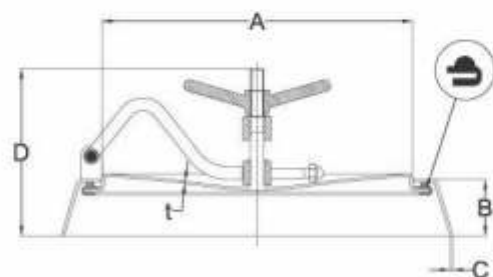


## STANDARD SIZE/\* At temperature 50°C / 122 °F

CODE	A	E×C	B	t	P.MAX
	mm	mm	mm	mm	bar
7027 555	440×340	555×455×5	75	4.0	3.0
7027 565	440×340	565×465×5	100	4.0	3.0
7027 580	440×340	580×480×5	133	4.0	3.0

IF YOU WANT TO CHECK FOR MORE DETAILS  
PLEASE CHECK THE FOLLOWING DRAWING

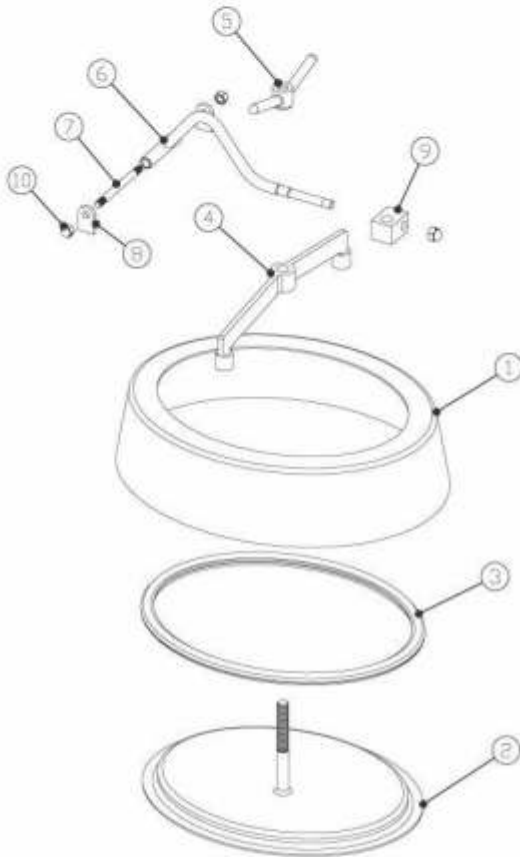
\*1BAR = 14.5PSI=0.1MPA





# NKA type

## NKA Parts Drawing



GASKET		
Part No.	Material	Color
7010-07 1	Silicon	White
7010-07 2	EPDM	Black
7010-07 3	FPM	Black

Item	Description	Material	Qty
1	Frame	1.4301/1.4404	1
2	Cover	1.4301/1.4404	1
3	Gasket	EPDM	1
4	Bracket	T304	1
5	Top nut	T304	1
6	Suspension arm	T304	1
7	Screw	T304	1
8	Hinge ear	T304	2
9	Hub	T304	1
10	Nut	T304	3

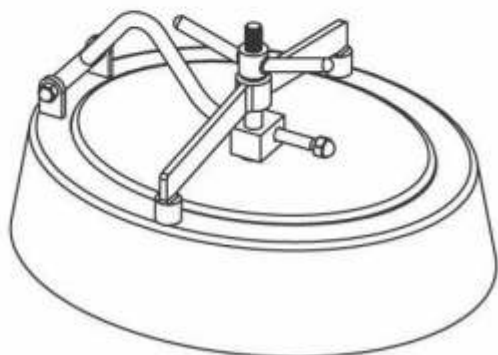
## NKA Technology

### TECHNICAL DATA

Working pressure: . . . . . Acc. to table standard size.

### Certificates

EN10204. 3.1 certificate



## Options

### Stainless Steel Finishes

- POLISHED WITH RA (μ)
- BEAD BLASTED
- PICKLED : ON REQUEST
- ELECTRO POLISHED






### Cover & Frame Range

Cover Thickness	Frame/Neck Height
4.0mm	75mm(2.95")
	100mm (3.94")
	133mm(5.23")

Note: Longer heights are also available.

# ZKD type



-  OVAL Manwaydoor inwards opening
-  Porte Ovale avec ouverture à l'intérieur
-  Ovale Mannlochtür, schwenkbar nach innen (Innenöffnung)
-  Puerta Oval de apertura interna
-  Portella Ovale apertura interna



◆ 7028 458

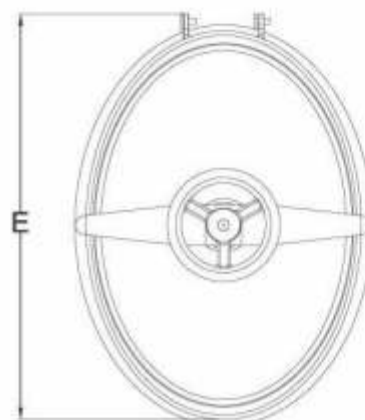
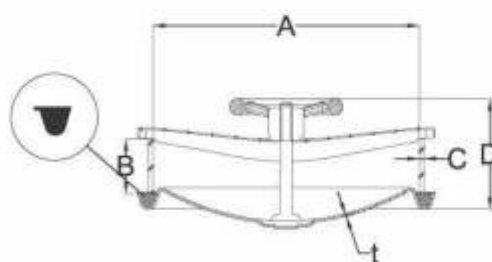


**STANDARD SIZE/\*** At temperature 50°C / 122 °F

CODE	A	C	B	T	P.MAX
	mm	mm	mm	mm	bar
7028 458	446x311	6	80	3.0	1.5

IF YOU WANT TO CHECK FOR MORE DETAILS  
PLEASE CHECK THE FOLLOWING DRAWING

\*1BAR =14.5PSI=0.1MPA



# ZKD type

## ZKD Parts Drawing



GASKET		
Part No.	Material	Color
7010-05 1	Silicon	White
7010-05 2	EPDM	Black
7010-05 3	FPM	Black

Item	Description	Material	Qty
1	Frame	1.4301/1.4404	1
2	Cover	1.4301/1.4404	1
3	Gasket	EPDM	1
4	Bracket	T304	1
5	Hand Wheel	Plastic/T304	1

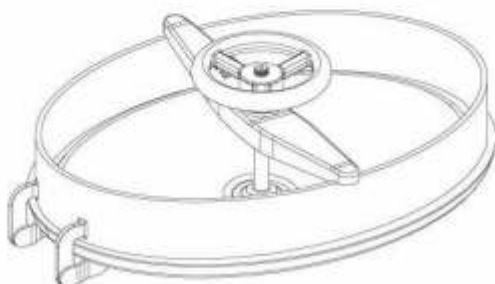
## ZKD Technology

### TECHNICAL DATA

Working pressure: . . . . . Acc. to table standard size.

### Certificates

EN10204. 3.1 certificate



## Options

### Stainless Steel Finishes

POLISHED WITH RA (μ)

BEAD BLASTED

PICKLED : ON REQUEST

ELECTRO POLISHED






### Cover & Frame Range

Cover Thickness	Frame/Neck Height
2.5mm	80mm (3.15")
3.0mm	100mm (3.94")
	120mm (4.72")
	150mm (5.91")
	200mm (7.76")

Note: Longer heights are also available.

# ZKE type



-  OVAL Manwaydoor inwards opening
-  Porte Ovale avec ouverture à l'intérieur
-  Ovale Mannlochtür, schwenkbar nach innen (Innenöffnung)
-  Puerta Oval de apertura interna
-  Portella Ovale apertura interna



◆ 7029 458

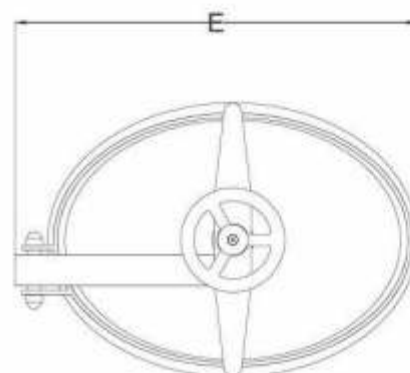
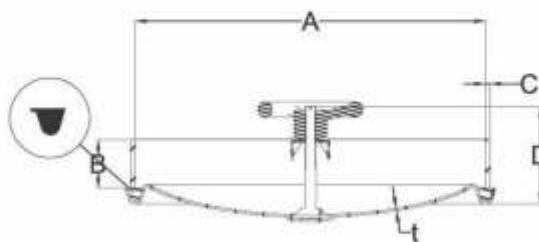


**STANDARD SIZE/\*** At temperature 50°C / 122 °F

CODE	A	C	B	T	P.MAX
	mm	mm	mm	mm	bar
7029 458	446x311	6	80	3.0	1.5






IF YOU WANT TO CHECK FOR MORE DETAILS  
PLEASE CHECK THE FOLLOWING DRAWING

\*1BAR =14.5PSI=0.1MPA



# ZKE type

todo de  
**inoxidable**

-  **OVAL Manwaydoor inwards opening**
-  **Porte Ovale avec ouverture à l'intérieur**
-  **Ovale Mannlochtür, schwenkbar nach innen (Innenöffnung)**
-  **Puerta Oval de apertura interna**
-  **Portella Ovale apertura interna**



◆ 7029 458

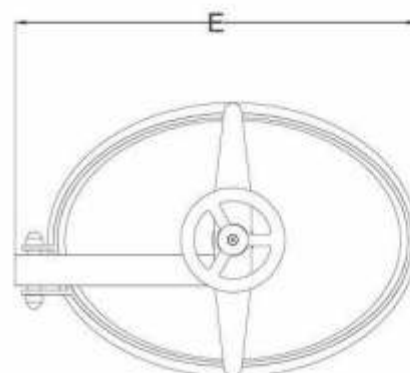
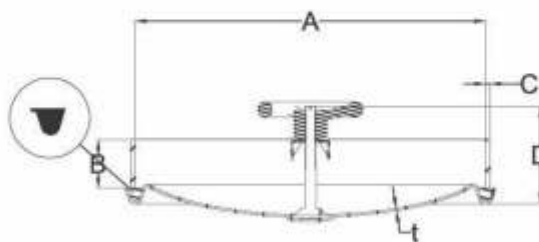


**STANDARD SIZE/\*** At temperature 50°C / 122 °F

CODE	A	C	B	T	P.MAX
	mm	mm	mm	mm	bar
7029 458	446×311	6	80	3.0	1.5






IF YOU WANT TO CHECK FOR MORE DETAILS  
PLEASE CHECK THE FOLLOWING DRAWING

\*1BAR =14.5PSI=0.1MPA



# ZKF type

todo de  
**inoxidable**

-  **OVAL Manwaydoor inwards opening**
-  **Porte Ovale avec ouverture à l'intérieur**
-  **Ovale Mannlochtür, schwenkbar nach innen (Innenöffnung)**
-  **Puerta Oval de apertura interna**
-  **Portella Ovale apertura interna**



◆ 7030 458

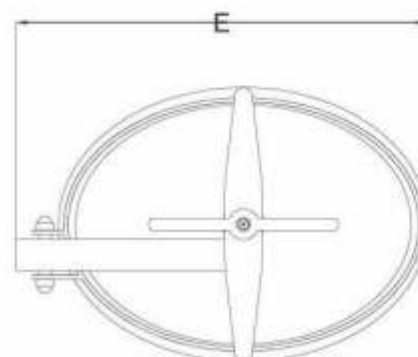
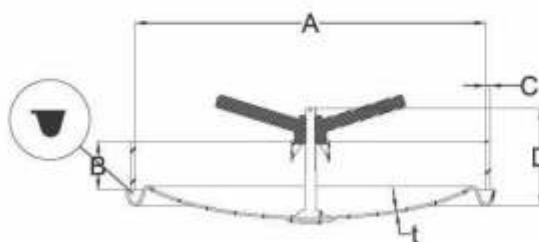


**STANDARD SIZE/\*** At temperature 50°C / 122 °F

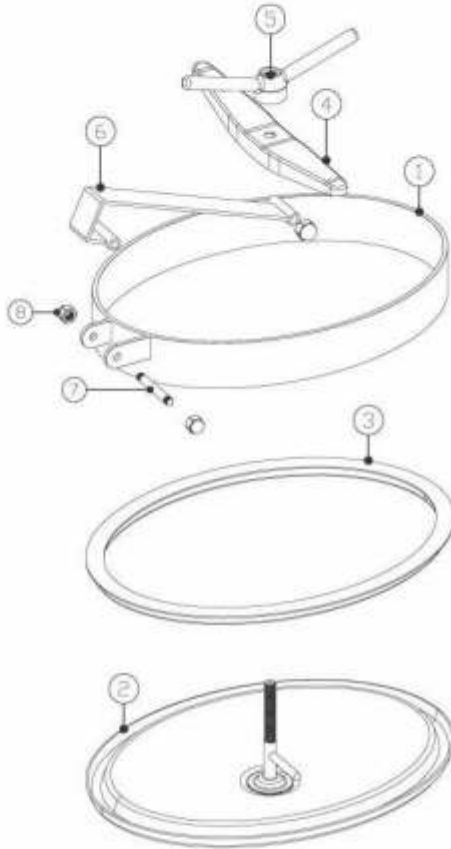
CODE	A	C	B	T	P.MAX
	mm	mm	mm	mm	bar
7030 458	446x311	6	80	3.0	1.5

IF YOU WANT TO CHECK FOR MORE DETAILS  
PLEASE CHECK THE FOLLOWING DRAWING

\*1BAR =14.5PSI=0.1MPA



## ZKF Parts Drawing



GASKET		
Part No.	Material	Color
7010-05 1	Silicon	White
7010-05 2	EPDM	Black
7010-05 3	FPM	Black

Item	Description	Material	Qty
1	Frame	1.4301/1.4404	1
2	Cover	1.4301/1.4404	1
3	Gasket	EPDM	1
4	Bracket	T304	1
5	Top nut	T304	1
6	Suspension arm	T304	1
7	Screw	T304	1
8	Nut	T304	3

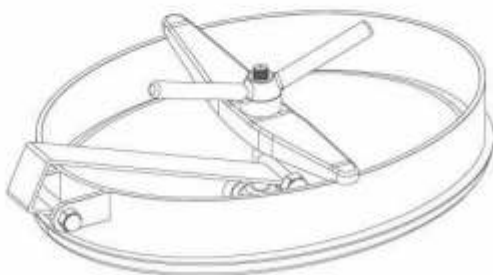
## ZKF Technology

### TECHNICAL DATA

Working pressure: . . . . . Acc. to table standard size.

### Certificates

EN10204. 3.1 certificate



## Options

### Stainless Steel Finishes

- POLISHED WITH RA (μ)
- BEAD BLASTED
- PICKLED : ON REQUEST
- ELECTRO POLISHED






### Cover & Frame Range

Cover Thickness	Frame/Neck Height
2.5mm	80mm (3.15")
3.0mm	100mm (3.94")
	120mm (4.72")
	150mm (5.91")
	200mm (7.76")

Note: Longer heights are also available.

# ZKG type

todo de  
**inoxidable**

-  OVAL Manwaydoor inwards opening
-  Porte Ovale avec ouverture à l'intérieur
-  Ovale Mannlochtür, schwenkbar nach innen (Innenöffnung)
-  Puerta Oval de apertura interna
-  Portella Ovale apertura interna



◆ 7031 458

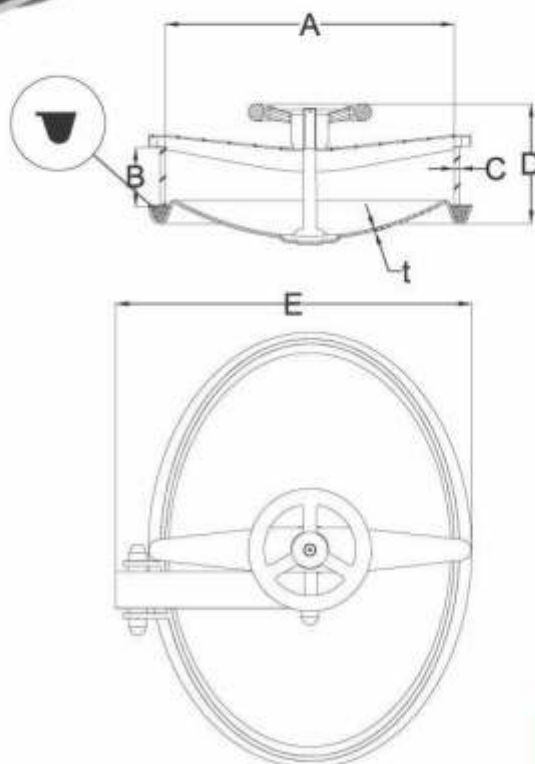


**STANDARD SIZE/\*** At temperature 50°C / 122 °F

CODE	A	C	B	T	P.MAX
	mm	mm	mm	mm	bar
7031 458	446×311	6	80	3.0	1.5

IF YOU WANT TO CHECK FOR MORE DETAILS  
PLEASE CHECK THE FOLLOWING DRAWING

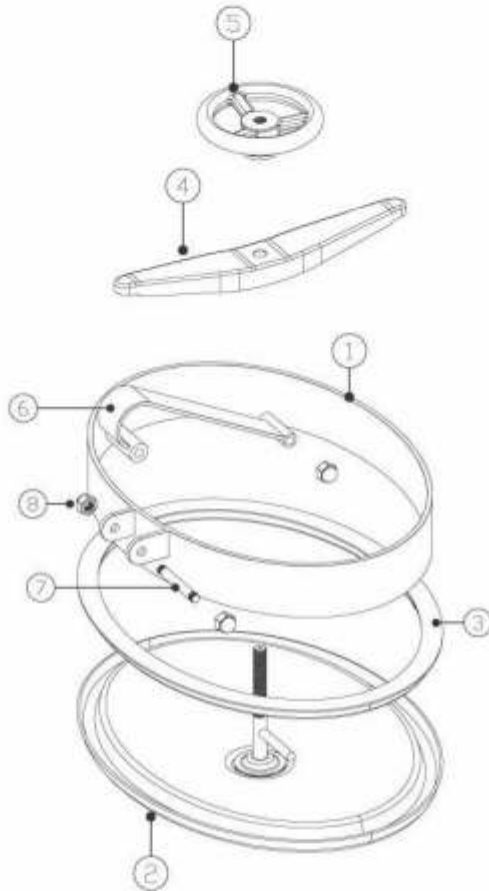
\*1BAR =14.5PSI=0.1MPA





# ZKG type

## ZKG Parts Drawing



GASKET		
Part No.	Material	Color
7010-05 1	Silicon	White
7010-05 2	EPDM	Black
7010-05 3	FPM	Black

Item	Description	Material	Qty
1	Frame	1.4301/1.4404	1
2	Cover	1.4301/1.4404	1
3	Gasket	EPDM	1
4	Bracket	T304	1
5	Hand Wheel	Plastic/T304	1
6	Suspension arm	T304	1
7	Screw	T304	1
8	Nut	T304	3

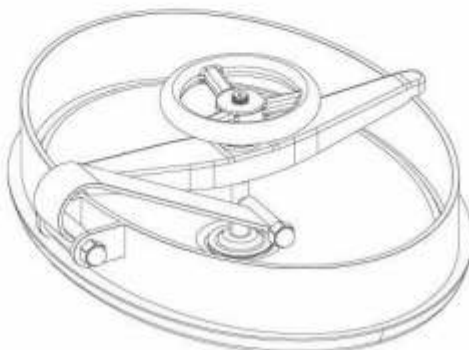
## ZKG Technology

### TECHNICAL DATA

Working pressure: . . . . . Acc. to table standard size.

### Certificates

EN10204. 3.1 certificate



## Options

### Stainless Steel Finishes






- POLISHED WITH RA (μ)
- BEAD BLASTED
- PICKLED : ON REQUEST
- ELECTRO POLISHED

### Cover & Frame Range

Cover Thickness	Frame/Neck Height
2.5mm	80mm (3.15")
3.0mm	100mm (3.94")
	120mm (4.72")
	150mm (5.91")
	200mm (7.76")

Note: Longer heights are also available.

# ONP type

-  OVAL Manwaydoor outwards opening
-  Porte Ovale avec ouverture à l'extérieur
-  Ovale Mannlochtür, schwenkbar nach außen (außenöffnung)
-  Puerta Oval de apertura externa
-  Portella Ovale apertura esterna



◆ 7032 420

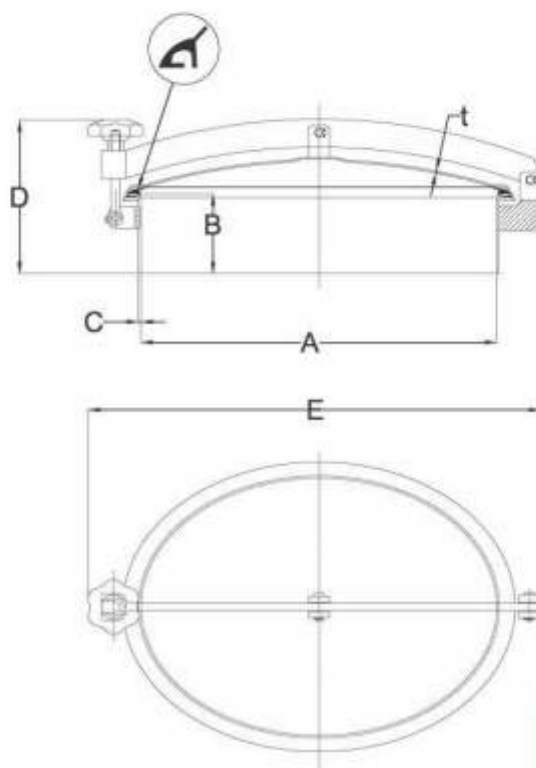


**STANDARD SIZE/\*** At temperature 50°C / 122 °F

CODE	A	C	B	T	P.MAX
	mm	mm	mm	mm	bar
7032 420	414×294	3	100	2.5	0.1

IF YOU WANT TO CHECK FOR MORE DETAILS  
PLEASE CHECK THE FOLLOWING DRAWING

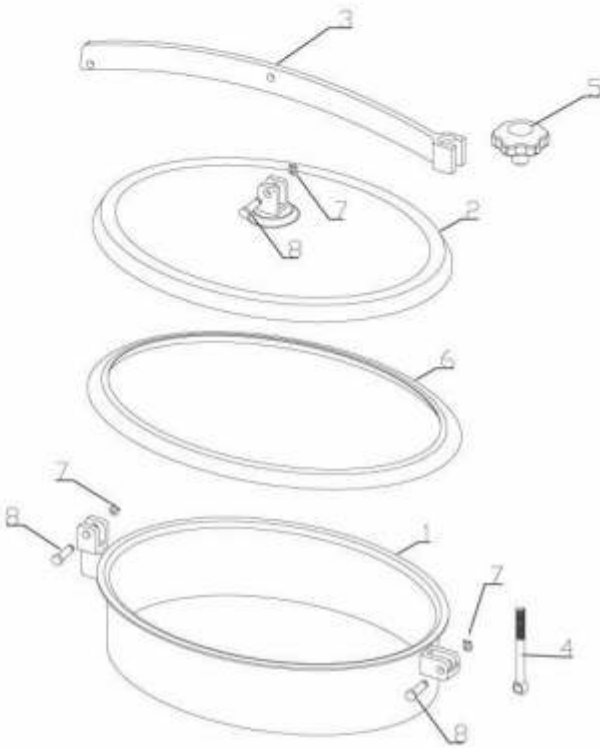
\*1BAR =14.5PSI=0.1MPA



# ONP type



## ONP Parts Drawing



### GASKET

Part No.	Material	Color
7010-01 1	Silicon	White
7010-01 2	EPDM	Black
7010-01 3	FPM	Black

Item	Description	Material	Qty
1	Frame	1.4301/1.4404	1
2	Cover	1.4301/1.4404	1
3	Bracket	T304	1
4	Swing bolt	T304	1
5	Handle	Plastic/T304	1
6	Gasket	Silicon	1
7	Lock ring	T304	3
8	Pin	T304	3

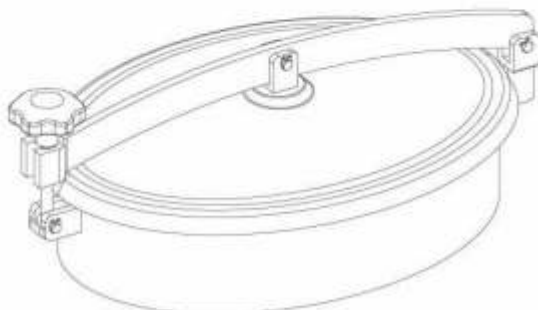
## ONP Technology

### TECHNICAL DATA

Working pressure: . . . . . Acc. to table standard size.

### Certificates

EN10204. 3.1 certificate



## Options

### Stainless Steel Finishes

POLISHED WITH RA ( $\mu$ )

BEAD BLASTED

PICKLED : ON REQUEST

ELECTRO POLISHED






### Cover & Frame Range

Cover Thickness	Frame/Neck Height
2.5mm	80mm (3.15")
3.0mm	100mm (3.94")
	120mm (4.72")
	150mm (5.91")
	200mm (7.76")

Note: Longer heights are also available.

# ONP-2 type



-  **OVAL Manwaydoor outwards opening**
-  **Porte Ovale avec ouverture à l'extérieur**
-  **Ovale Mannlochtür, schwenkbar nach außen (außenöffnung)**
-  **Puerta Oval de apertura externa**
-  **Portella Ovale apertura esterna**



◆ 7033 420

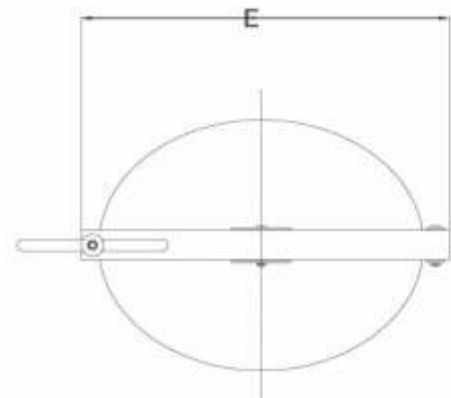
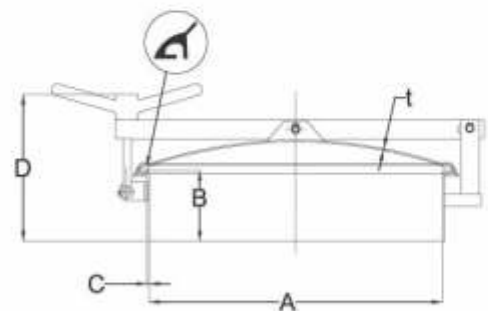


**STANDARD SIZE/\*** At temperature 50°C / 122 °F

CODE	A	C	B	T	P.MAX
	mm	mm	mm	mm	bar
7033 420	414×294	3	100	3.0	0.1

IF YOU WANT TO CHECK FOR MORE DETAILS  
PLEASE CHECK THE FOLLOWING DRAWING

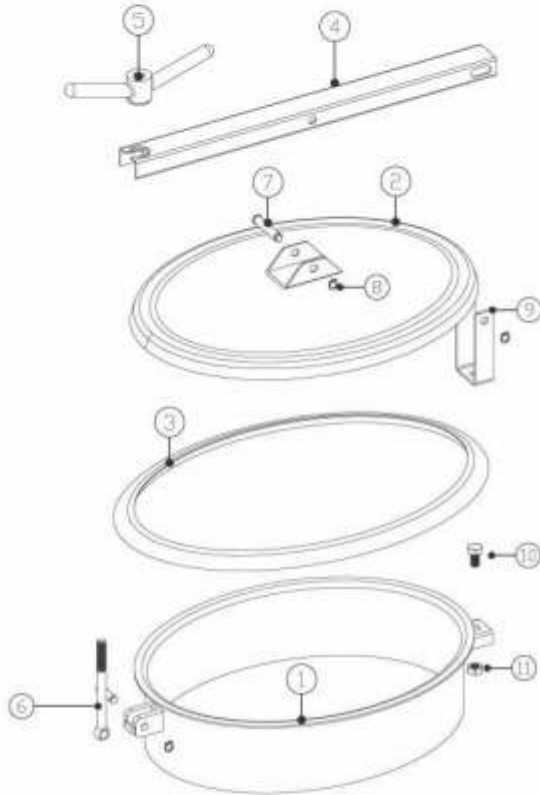
\*1BAR = 14.5PSI=0.1MPA



# ONP-2 type



## ONP-2 Parts Drawing



### GASKET

Part No.	Material	Color
7010-01 1	Silicon	White
7010-01 2	EPDM	Black
7010-01 3	FPM	Black

Item	Description	Material	Qty
1	Frame	1.4301/1.4404	1
2	Cover	1.4301/1.4404	1
3	Gasket	Silicon	1
4	Bracket	T304	1
5	Handle	T304	1
6	Swing bolt	T304	1
7	Pin	T304	2
8	Lock ring	T304	2
9	Back hinge support	T304	1
10	Screw	T304	1
11	Nut	T304	1

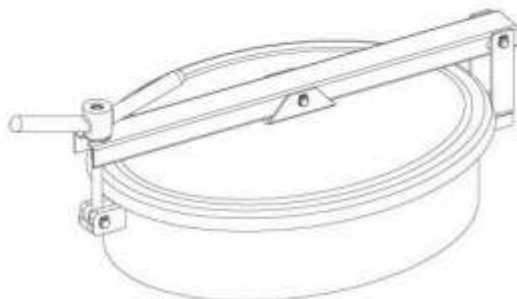
## ONP-2 Technology

### TECHNICAL DATA

Working pressure: . . . . . Acc. to table standard size.

### Certificates

EN10204. 3.1 certificate



## Options

### Stainless Steel Finishes

POLISHED WITH RA ( $\mu$ )

BEAD BLASTED

PICKLED : ON REQUEST






ELECTRO POLISHED

### Cover & Frame Range

Cover Thickness	Frame/Neck Height
2.5mm	80mm (3.15")
3.0mm	100mm (3.94")
	120mm (4.72")
	150mm (5.91")
	200mm (7.76")

Note: Longer heights are also available.

# R type

-  Rectangular manwaydoor, opening outwards
-  Porte rectangulaire avec ouverture à l'extérieur
-  Rechteckige Mannlochtür, schwenkbar nach außen (außen)
-  Puerta rectangular de apertura externa
-  Portella rettangolare ad apertura esterna



◆ 7034 235

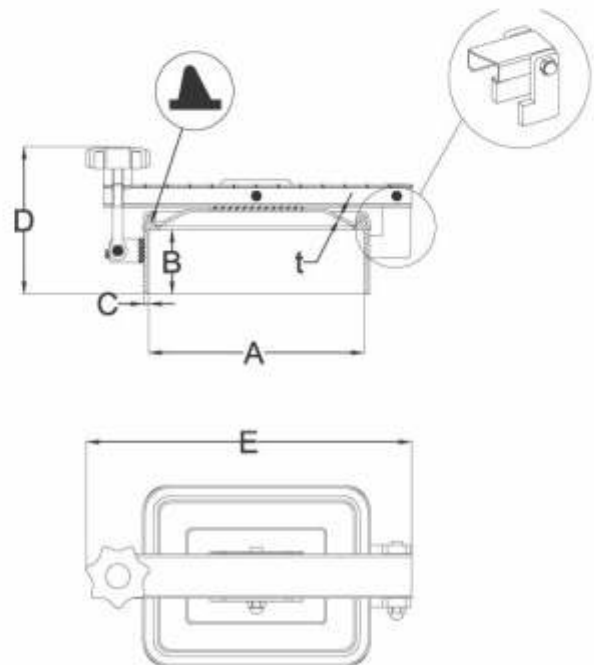


**STANDARD SIZE/\*** At temperature 50°C / 122 °F

CODE	A	C	B	T	P.MAX
	mm	mm	mm	mm	bar
7034 235	225×175	5.0	70	3.0	0.7

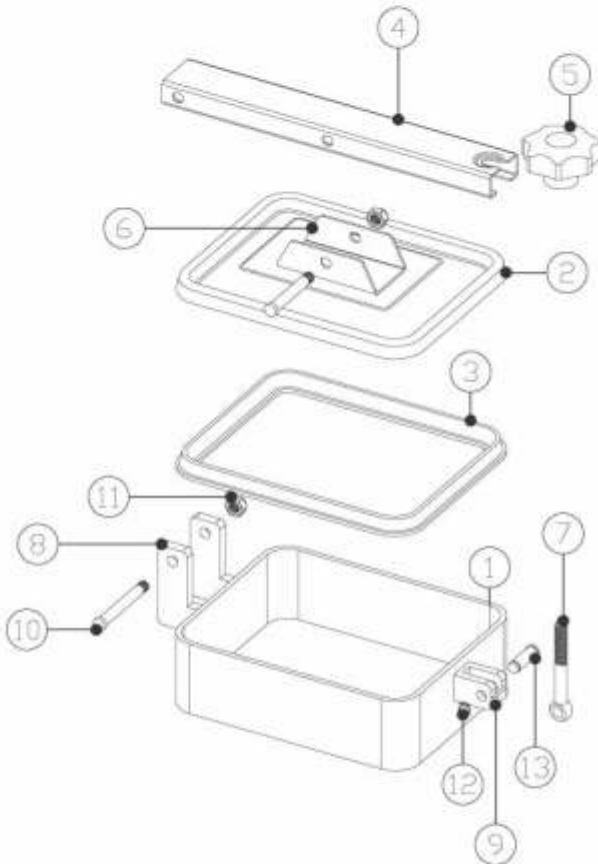
IF YOU WANT TO CHECK FOR MORE DETAILS  
PLEASE CHECK THE FOLLOWING DRAWING

\*1BAR =14.5PSI=0.1MPA



# R type

## R Parts Drawing



GASKET		
Part No.	Material	Color
7010-08 1	Silicon	White
7010-08 2	EPDM	Black
7010-08 3	FPM	Black

Item	Description	Material	Qty
1	Frame	1.4301/1.4404	1
2	Cover	1.4301/1.4404	1
3	Gasket	Silicon	1
4	Bracket	T304	1
5	Handle	Plastic/T304	1
6	Up hinge support	T304	1
7	Swing bolt	T304	1
8	Back hinge support	T304	1
9	Front hinge support	T304	1
10	Screw	T304	1
11	Nut	T304	2
12	Lock ring	T304	1
13	Pin	T304	1

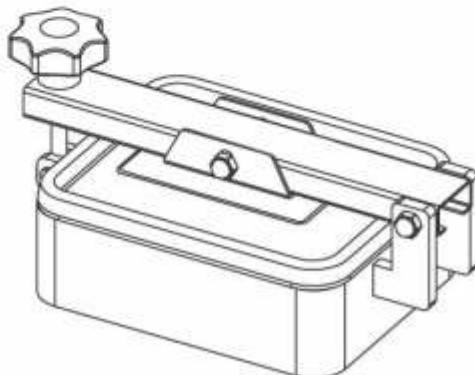
## R Technology

### TECHNICAL DATA

Working pressure: . . . . . Acc. to table standard size.

### Certificates

EN10204. 3.1 certificate



## Options

### Stainless Steel Finishes






- POLISHED WITH RA ( $\mu$ )
- BEAD BLASTED
- PICKLED : ON REQUEST
- ELECTRO POLISHED

### Cover & Frame Range

Cover Thickness	Frame/Neck Height
2.0mm	70mm (2.75")
2.5mm	100mm (3.94")
3.0mm	120mm (4.72")

Note: Longer heights are also available.

# R-2 type

-  Rectangular manwaydoor, opening outwards
-  Porte rectangulaire avec ouverture à l'extérieur
-  Rechteckige Mannlochtür, schwenkbar nach außen (außen)
-  Puerta rectangular de apertura externa
-  Portella rettangolare ad apertura esterna



◆ 7035 235

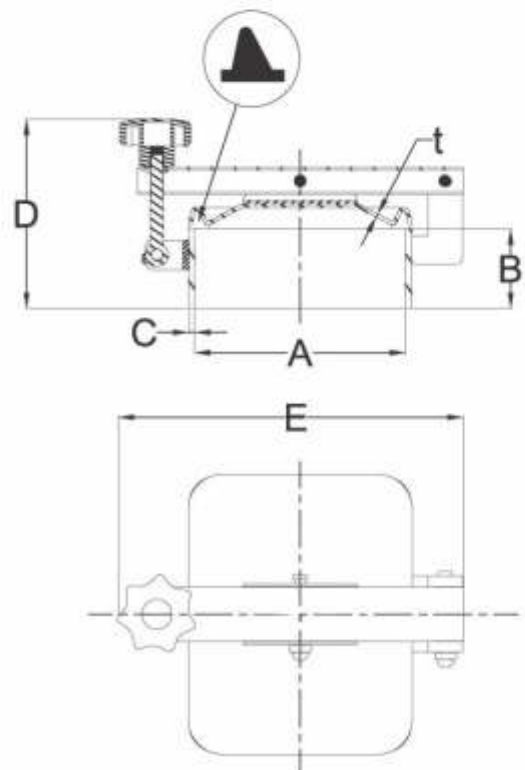


**STANDARD SIZE/\*** At temperature 50°C / 122 °F

CODE	A	C	B	T	P.MAX
	mm	mm	mm	mm	bar
7035 235	225×175	5.0	70	3.0	0.7

IF YOU WANT TO CHECK FOR MORE DETAILS  
PLEASE CHECK THE FOLLOWING DRAWING

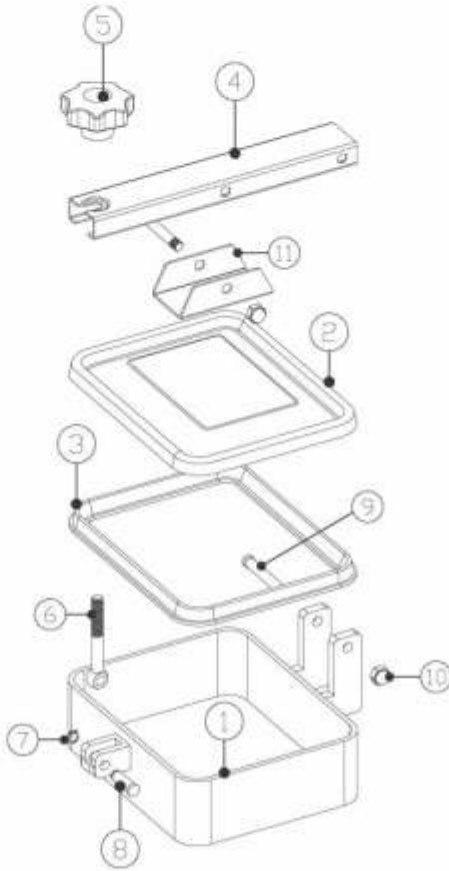
\*1BAR = 14.5PSI=0.1MPA





# R-2 type

## R-2 Parts Drawing



GASKET		
Part No.	Material	Color
7010-08 1	Silicon	White
7010-08 2	EPDM	Black
7010-08 3	FPM	Black

Item	Description	Material	Qty
1	Frame	1.4301/1.4404	1
2	Cover	1.4301/1.4404	1
3	Gasket	Silicon	1
4	Bracket	T304	1
5	Handle	Plastic/T304	1
6	Swing bolt	T304	1
7	Lock ring	T304	1
8	Pin	T304	1
9	Screw	T304	2
10	Nut	T304	2
11	Up hinge support	T304	1

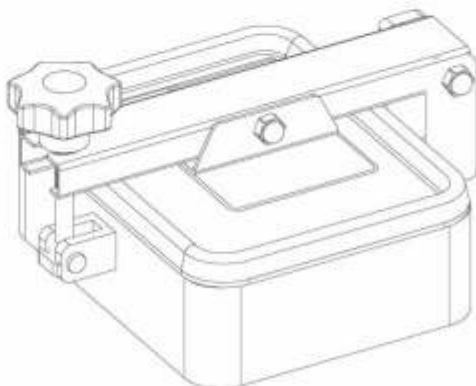
## R-2 Technology

### TECHNICAL DATA

Working pressure: . . . . . Acc. to table standard size.

### Certificates

EN10204. 3.1 certificate



## Options

### Stainless Steel Finishes

POLISHED WITH RA (μ)

BEAD BLASTED

PICKLED : ON REQUEST






ELECTRO POLISHED

### Cover & Frame Range

Cover Thickness	Frame/Neck Height
2.0mm	70mm (2.75")
2.5mm	100mm (3.94")
3.0mm	120mm (4.72")

Note: Longer heights are also available.

# R-3 type

-  Rectangular manwaydoor, opening outwards
-  Porte rectangulaire avec ouverture à l'extérieur
-  Rechteckige Mannlochtür, schwenkbar nach außen (außen).
-  Puerta rectangular de apertura externa
-  Portella rettangolare ad apertura esterna



♦ 7036 235

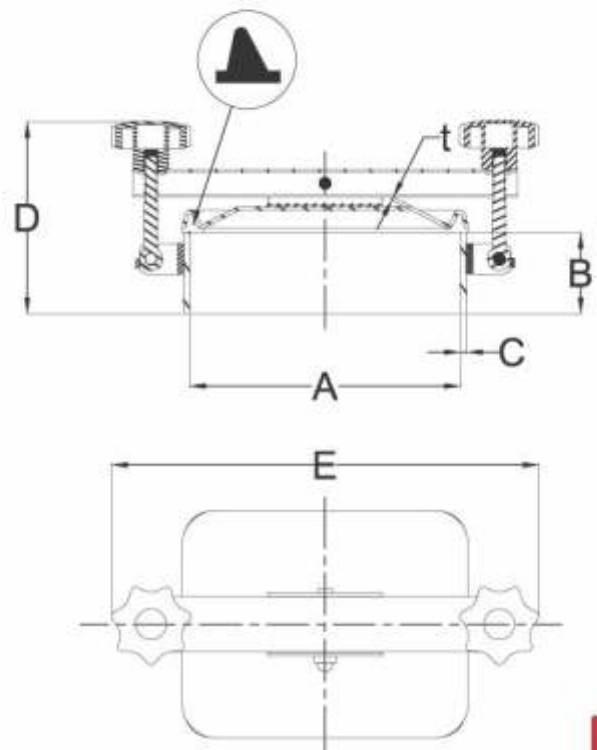


**STANDARD SIZE/\*** At temperature 50°C / 122 °F

CODE	A	C	B	T	P.MAX
	mm	mm	mm	mm	bar
7036 235	225×175	5.0	70	3.0	0.7

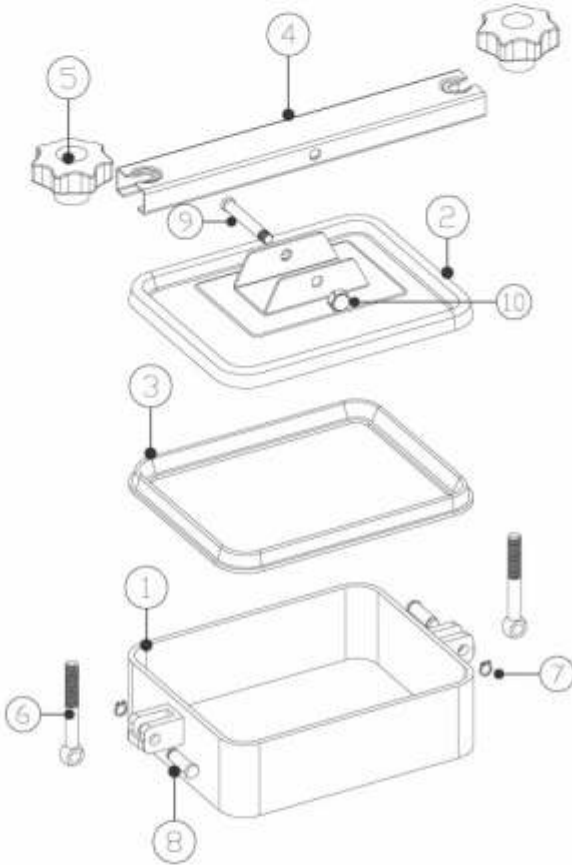
IF YOU WANT TO CHECK FOR MORE DETAILS  
PLEASE CHECK THE FOLLOWING DRAWING

\*1BAR =14.5PSI=0.1MPA



# R-3 type

## R-3 Parts Drawing



GASKET		
Part No.	Material	Color
7010-08 1	Silicon	White
7010-08 2	EPDM	Black
7010-08 3	FPM	Black

Item	Description	Material	Qty
1	Frame	1.4301/1.4404	1
2	Cover	1.4301/1.4404	1
3	Gasket	Silicon	1
4	Bracket	T304	1
5	Handle	Plastic/T304	2
6	Swing bolt	T304	2
7	Lock ring	T304	2
8	Pin	T304	2
9	Screw	T304	1
10	Nut	T304	1

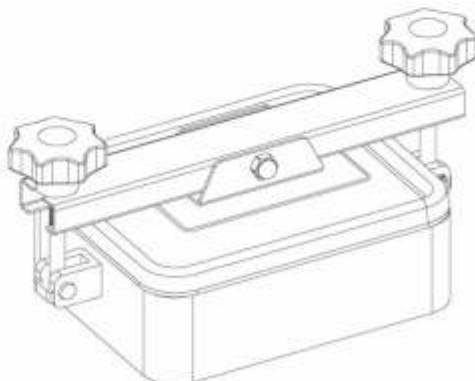
## R-3 Technology

### TECHNICAL DATA

Working pressure: . . . . . Acc. to table standard size.

### Certificates

EN10204. 3.1 certificate



## Options

### Stainless Steel Finishes





- POLISHED WITH RA ( $\mu$ )
- BEAD BLASTED
- PICKLED : ON REQUEST
- ELECTRO POLISHED

### Cover & Frame Range

Cover Thickness	Frame/Neck Height
2.0mm	70mm (2.75")
2.5mm	100mm (3.94")
3.0mm	120mm (4.72")

**Note:** Longer heights are also available.

# RE type

-  Rectangular manwaydoor, opening outwards
-  Porte rectangulaire avec ouverture à l'extérieur
-  Rechteckige Mannlochtür, schwenkbar nach außen (außenöffnung)
-  Puerta rectangular de apertura externa
-  Portella rettangolare ad apertura esterna



- ◆ 7037 435
- ◆ 7037 535
- ◆ 7037 700

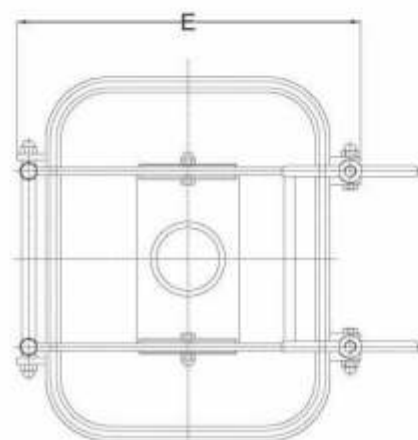
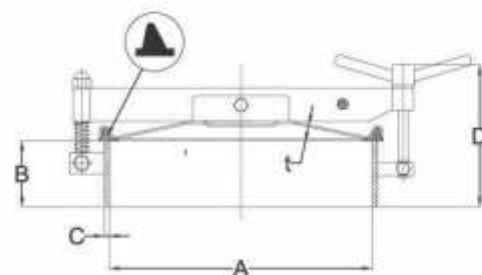


## STANDARD SIZE/\* At temperature 50°C / 122 °F

CODE	A	C	B	T	P.MAX
	mm	mm	mm	mm	bar
7037 435	419×319	8.0	100	3.0	0.7
7037 535	519×399	8.0	100	3.0	0.3
7037 700	676×476	12.0	100	4.0	0.1

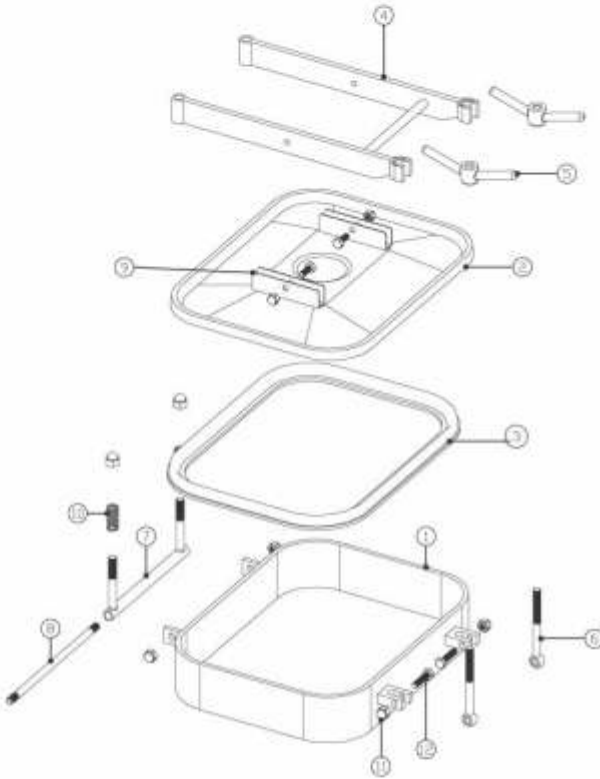
IF YOU WANT TO CHECK FOR MORE DETAILS  
PLEASE CHECK THE FOLLOWING DRAWING

\*1BAR =14.5PSI=0.1MPA



# RE type

## RE Parts Drawing



GASKET		
Part No.	Material	Color
7010-08 1	Silicon	White
7010-08 2	EPDM	Black
7010-08 3	FPM	Black

Item	Description	Material	Qty
1	Frame	1.4301/1.4404	1
2	Cover	1.4301/1.4404	1
3	Gasket	Silicon	1
4	Bracket	T304	1
5	Top Nut	T304	2
6	Swing bolt	T304	2
7	Screw	T304	1
8	Screw	T304	1
9	Up hinge support.	T304	2
10	Spring	T304	2
11	Nut	T304	8
12	Screw	T304	4

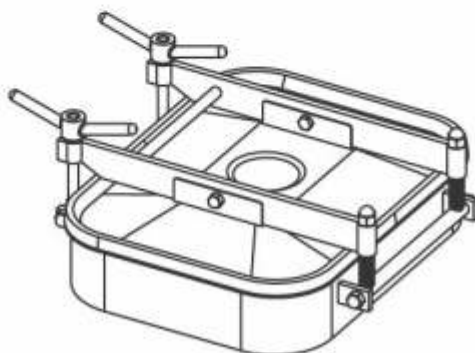
## RE Technology

### TECHNICAL DATA

Working pressure: . . . . . Acc. to table standard size.

### Certificates

EN10204. 3.1 certificate



## Options

### Stainless Steel Finishes






- POLISHED WITH RA ( $\mu$ )
- BEAD BLASTED
- PICKLED : ON REQUEST
- ELECTRO POLISHED

### Cover & Frame Range

Cover Thickness	Frame/Neck Height
2.0mm	70mm (2.75")
2.5mm	100mm (3.94")
3.0mm	120mm (4.72")

Note: Longer heights are also available.

# RE-2 type

-  Rectangular manwaydoor, opening outwards
-  Porte rectangulaire avec ouverture à l'extérieur
-  Rechteckige Mannlochtür, schwenkbar nach außen (außenöffnung)
-  Puerta rectangular de apertura externa
-  Portella rettangolare ad apertura esterna



- ◆ 7038 435
- ◆ 7038 535
- ◆ 7038 700

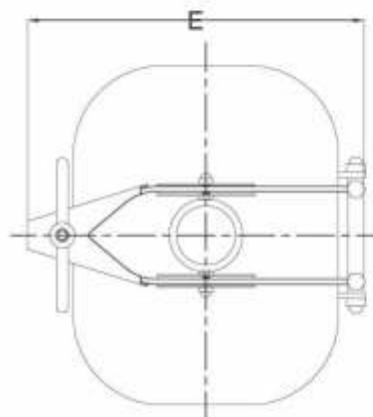
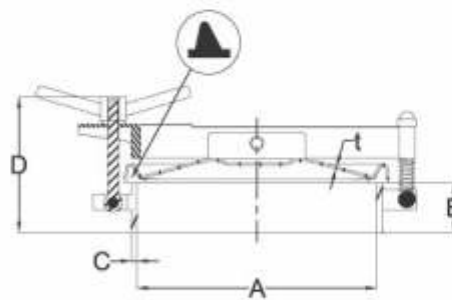


## STANDARD SIZE/\* At temperature 50°C / 122 °F

CODE	A	C	B	T	P.MAX
	mm	mm	mm	mm	bar
7038 435	419×319	8.0	70	3.0	0.6
7038 535	519×399	8.0	100	3.0	0.25
7038 700	676×476	12.0	100	4.0	0.1

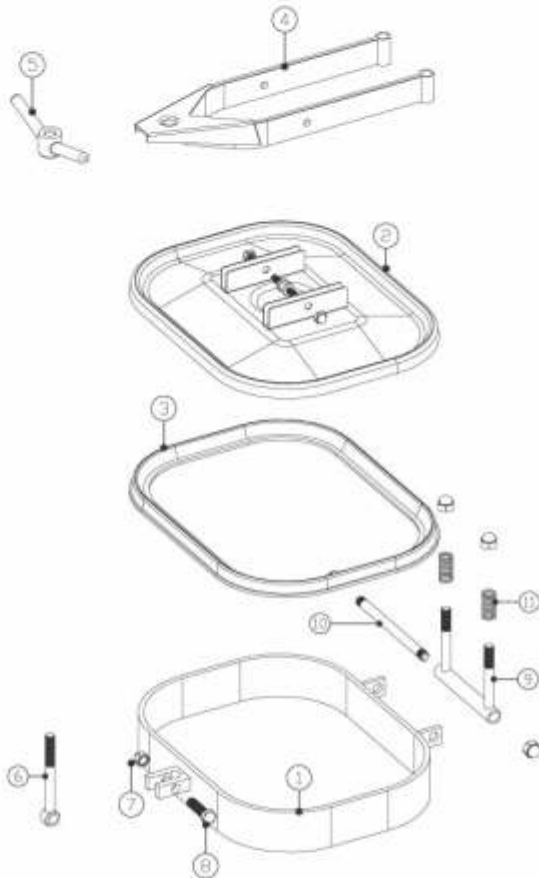
IF YOU WANT TO CHECK FOR MORE DETAILS  
PLEASE CHECK THE FOLLOWING DRAWING

\*1BAR =14.5PSI=0.1MPA



# RE-2 type

## RE-2 Parts Drawing



GASKET		
Part No.	Material	Color
7010-08 1	Silicon	White
7010-08 2	EPDM	Black
7010-08 3	FPM	Black

Item	Description	Material	Qty
1	Frame	1.4301/1.4404	1
2	Cover	1.4301/1.4404	1
3	Gasket	Silicon	1
4	Arm	T304	1
5	Top Nut	T304	1
6	Swing bolt	T304	2
7	Nut	T304	7
8	Screw	T304	3
9	Back hinge support	T304	1
10	Screw	T304	1
11	Spring	T304	2

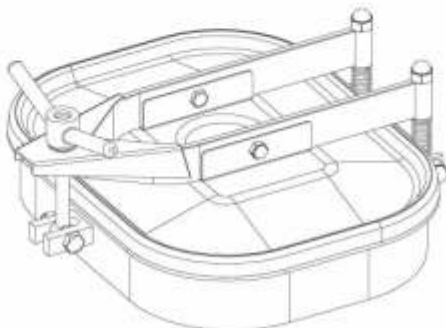
## RE-2 Technology

### TECHNICAL DATA

Working pressure: . . . . . Acc. to table standard size.

### Certificates

EN10204. 3.1 certificate



## Options

### Stainless Steel Finishes

POLISHED WITH RA ( $\mu$ )

BEAD BLASTED

PICKLED : ON REQUEST





ELECTRO POLISHED

### Cover & Frame Range

Cover Thickness	Frame/Neck Height
2.0mm	70mm (2.75")
2.5mm	100mm (3.94")
3.0mm	120mm (4.72")

Note: Longer heights are also available.

# RE-3 type

-  Rectangular manwaydoor, opening outwards
-  Porte rectangulaire avec ouverture à l'extérieur
-  Rechteckige Mannlochtür, schwenkbar nach außen (außenöffnung)
-  Puerta rectangular de apertura externa
-  Portella rettangolare ad apertura esterna



- ◆ 7039 435
- ◆ 7039 535
- ◆ 7039 700

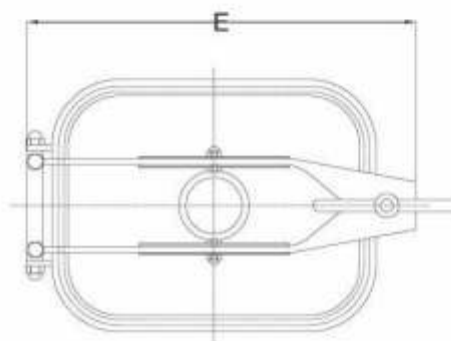
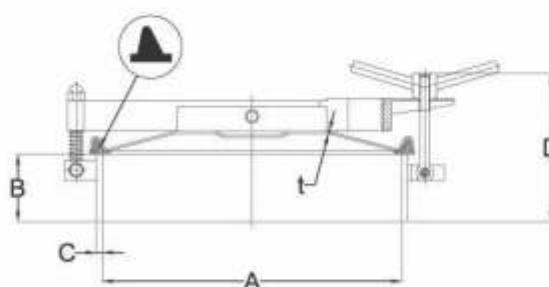


## STANDARD SIZE/\* At temperature 50°C / 122 °F

CODE	A	C	B	T	P.MAX
	mm	mm	mm	mm	bar
7039 435	419×319	8.0	70	3.0	0.6
7039 535	519×399	8.0	100	3.0	0.25
7039 700	676×476	12.0	100	4.0	0.1

IF YOU WANT TO CHECK FOR MORE DETAILS  
PLEASE CHECK THE FOLLOWING DRAWING

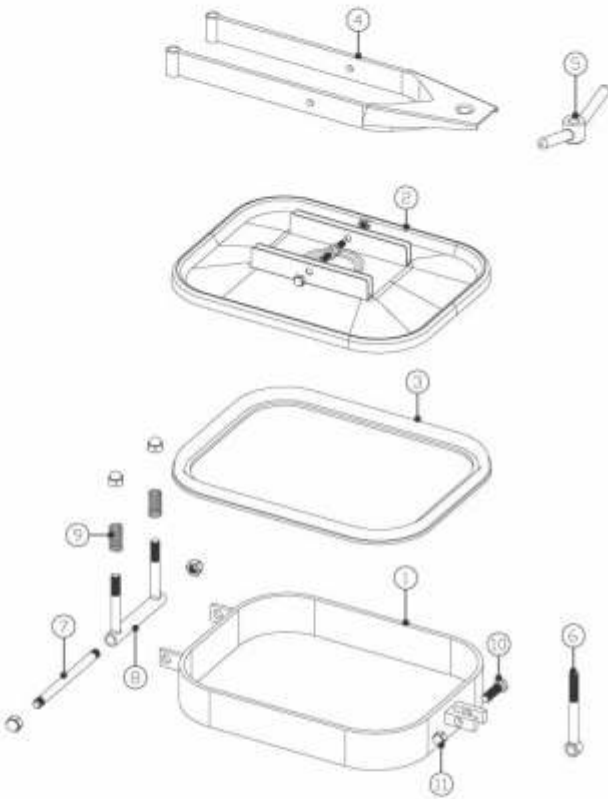
\*1BAR =14.5PSI=0.1MPA





# RE-3 type

## RE-3 Parts Drawing



GASKET		
Part No.	Material	Color
7010-08 1	Silicon	White
7010-08 2	EPDM	Black
7010-08 3	FPM	Black

Item	Description	Material	Qty
1	Frame	1.4301/1.4404	1
2	Cover	1.4301/1.4404	1
3	Gasket	Silicon	1
4	Arm	T304	1
5	Top Nut	T304	1
6	Swing bolt	T304	1
7	Screw	T304	1
8	Back hinge support	T304	1
9	Spring	T304	2
10	Screw	T304	3
11	Nut	T304	7

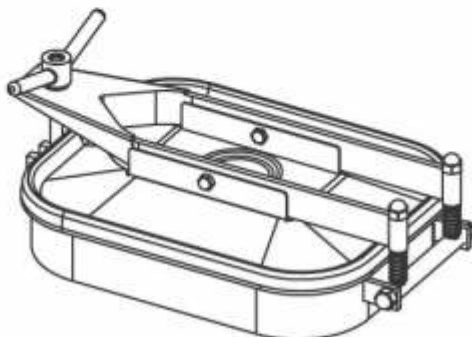
## RE-3 Technology

### TECHNICAL DATA

Working pressure: . . . . . Acc. to table standard size.

### Certificates

EN10204. 3.1 certificate



## Options

### Stainless Steel Finishes






- POLISHED WITH RA ( $\mu$ )
- BEAD BLASTED
- PICKLED : ON REQUEST
- ELECTRO POLISHED

### Cover & Frame Range

Cover Thickness	Frame/Neck Height
2.0mm	70mm (2.75")
2.5mm	100mm (3.94")
3.0mm	120mm (4.72")

Note: Longer heights are also available.

# R2D type

-  Rectangular manwaydoor, opening outwards
-  Porte rectangulaire avec ouverture à l'extérieur
-  Rechteckige Mannlochtür, schwenkbar nach außen (außenöffnung)
-  Puerta rectangular de apertura externa
-  Portella rettangolare ad apertura esterna



- ◆ 7040 435
- ◆ 7040 535
- ◆ 7040 700

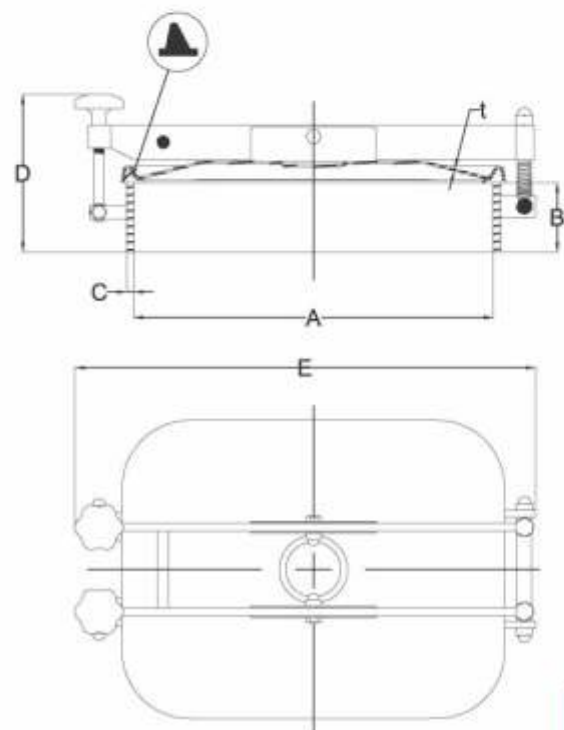


## STANDARD SIZE/\* At temperature 50°C / 122 °F

CODE	A	C	B	T	P.MAX
	mm	mm	mm	mm	bar
7040 435	419×319	8.0	70	3.0	0.6
7040 535	519×399	8.0	100	3.0	0.25
7040 700	676×476	12.0	100	4.0	0.1

IF YOU WANT TO CHECK FOR MORE DETAILS  
PLEASE CHECK THE FOLLOWING DRAWING

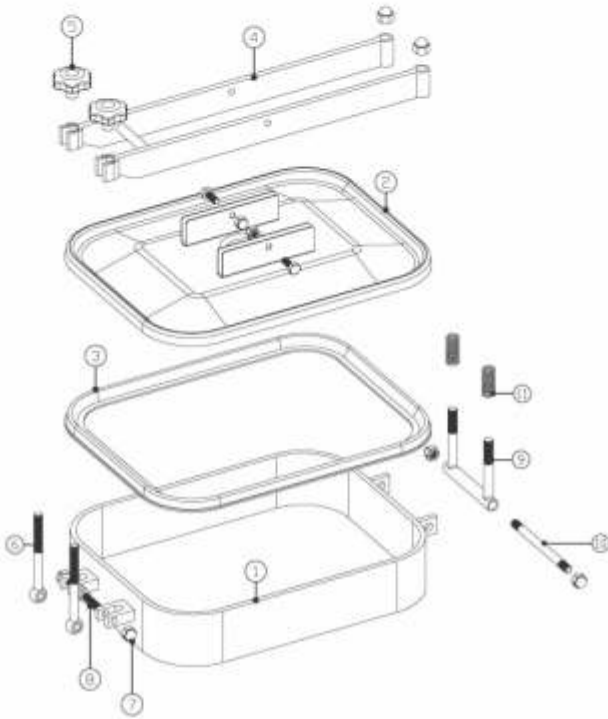
\*1BAR =14.5PSI=0.1MPA



# R2D type



## R2D Parts Drawing



GASKET		
Part No.	Material	Color
7010-08 1	Silicon	White
7010-08 2	EPDM	Black
7010-08 3	FPM	Black

Item	Description	Material	Qty
1	Frame	1.4301/1.4404	1
2	Cover	1.4301/1.4404	1
3	Gasket	Silicon	1
4	Arm	T304	1
5	Handle	T304	2
6	Swing bolt	T304	2
7	Nut	T304	8
8	Screw	T304	4
9	Back hinge support	T304	2
10	Screw	T304	1
11	Spring	T304	2

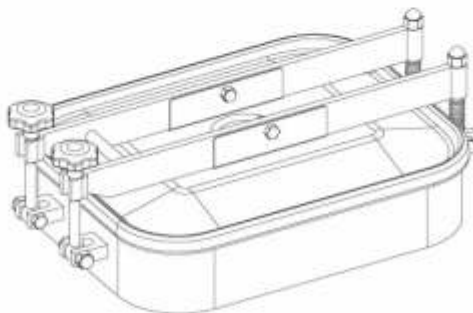
## R2D Technology

### TECHNICAL DATA

Working pressure: . . . . . Acc. to table standard size.

### Certificates

EN10204. 3.1 certificate



## Options

### Stainless Steel Finishes

POLISHED WITH RA ( $\mu$ )

BEAD BLASTED

PICKLED : ON REQUEST

ELECTRO POLISHED






### Cover & Frame Range

Cover Thickness	Frame/Neck Height
2.0mm	70mm (2.75")
2.5mm	100mm (3.94")
3.0mm	120mm (4.72")

Note: Longer heights are also available.

# R2D-2 type



-  Rectangular manwaydoor, opening outwards
-  Porte rectangulaire avec ouverture à l'extérieur
-  Rechteckige Mannlochtür, schwenkbar nach außen (außenöffnung)
-  Puerta rectangular de apertura externa
-  Portella rettangolare ad apertura esterna



- ◆ 7041 435
- ◆ 7041 535
- ◆ 7041 700

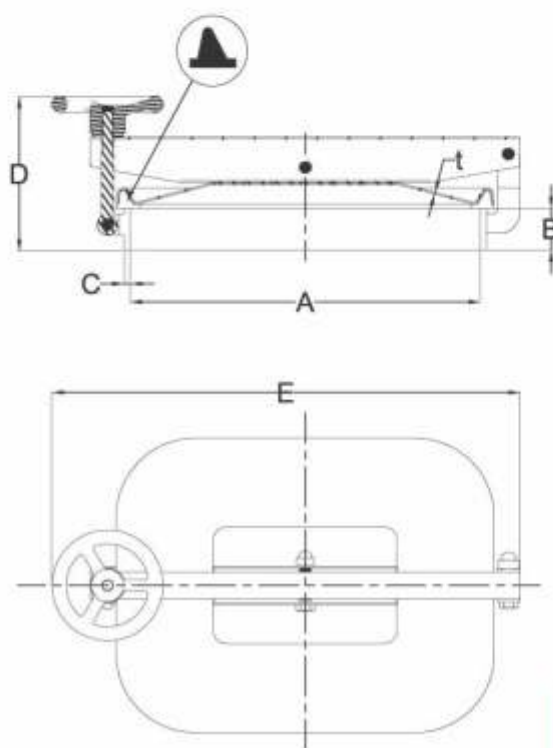


## STANDARD SIZE/\* At temperature 50°C / 122 °F

CODE	A	C	B	T	P.MAX
	mm	mm	mm	mm	bar
7041 435	419×319	8.0	70	3.0	0.4
7041 535	519×399	8.0	100	3.0	0.2
7041 700	676×476	12.0	100	4.0	0.1

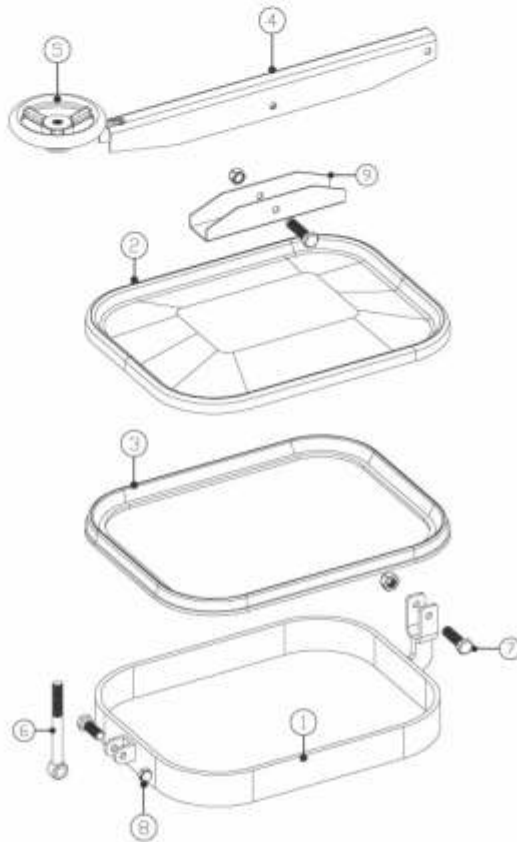
IF YOU WANT TO CHECK FOR MORE DETAILS  
PLEASE CHECK THE FOLLOWING DRAWING

\*1BAR =14.5PSI=0.1MPA



# R2D-2 type

## R2D-2 Parts Drawing



GASKET		
Part No.	Material	Color
7010-08 1	Silicon	White
7010-08 2	EPDM	Black
7010-08 3	FPM	Black

Item	Description	Material	Qty
1	Frame	1.4301/1.4404	1
2	Cover	1.4301/1.4404	1
3	Gasket	Silicon	1
4	Arm	T304	1
5	Hand wheel	T304	1
6	Swing bolt	T304	1
7	Screw	T304	3
8	Nut	T304	3
9	Up hinge support	T304	1

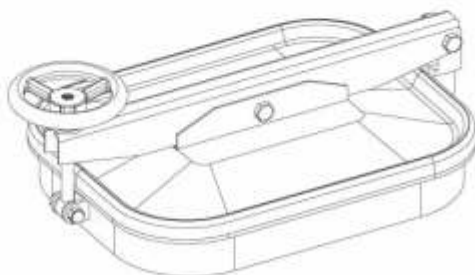
## R2D-2 Technology

### TECHNICAL DATA

Working pressure: . . . . . Acc. to table standard size.

### Certificates

EN10204. 3.1 certificate



## Options

### Stainless Steel Finishes

- POLISHED WITH RA ( $\mu$ )
- BEAD BLASTED
- PICKLED : ON REQUEST
- ELECTRO POLISHED

### Cover & Frame Range

Cover Thickness	Frame/Neck Height
2.0mm	70mm (2.75")
2.5mm	100mm (3.94")
3.0mm	120mm (4.72")

Note: Longer heights are also available.

- Rectangular manwaydoor inwards opening
- Porte rectangulaire avec ouverture à l'intérieur
- Rechteckige Mannlochtür, schwenkbar nach innen (Innenöffnung)
- Puerta rectangular de apertura interna
- Portella rettangolare apertura interna



- ◆ 7042 435
- ◆ 7042 535

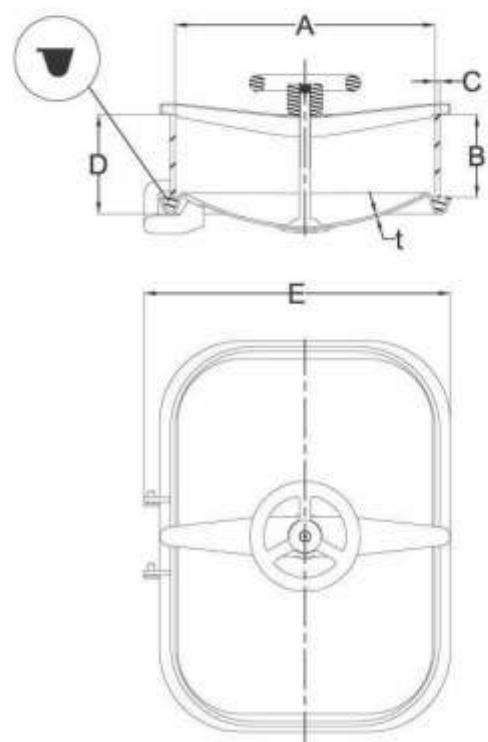


### STANDARD SIZE/\* At temperature 50°C /122 °F

CODE	A	C	B	T	P.MAX
	mm	mm	mm	mm	bar
7042 435	419×319	8.0	70	3.0	1.0
7042 535	519×399	8.0	70	3.0	0.7

IF YOU WANT TO CHECK FOR MORE DETAILS  
PLEASE CHECK THE FOLLOWING DRAWING

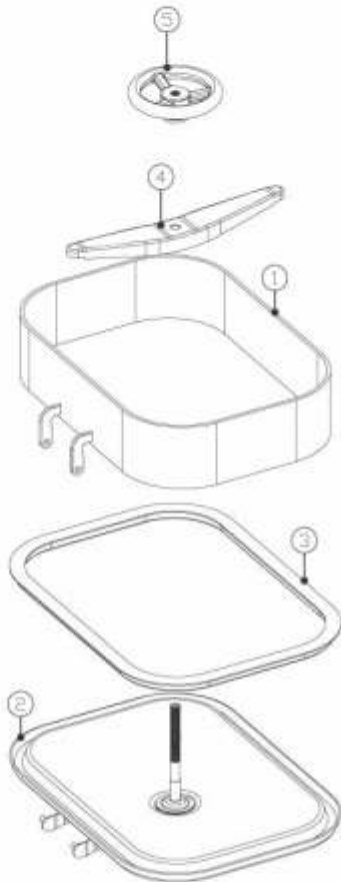
\*1BAR =14.5PSI=0.1MPA



# RIW type



## RIW Parts Drawing



GASKET		
Part No.	Material	Color
7010-05 1	Silicon	White
7010-05 2	EPDM	Black
7010-05 3	FPM	Black

Item	Description	Material	Qty
1	Frame	1.4301/1.4404	1
2	Cover	1.4301/1.4404	1
3	Gasket	Silicon	1
4	Toggle	T304	1
5	Hand wheel	Plastic/T304	1

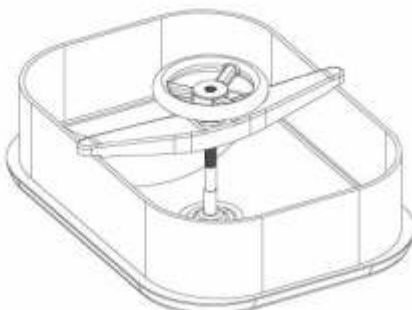
## RIW Technology

### TECHNICAL DATA

Working pressure: . . . . . Acc. to table standard size.

### Certificates

EN10204. 3.1 certificate



## Options

### Stainless Steel Finishes

- POLISHED WITH RA (μ)
- BEAD BLASTED
- PICKLED : ON REQUEST
- ELECTRO POLISHED






### Cover & Frame Range

Cover Thickness	Frame/Neck Height
2.0mm	60mm (2.36")
2.5mm	100mm (3.94")
3.0mm	120mm (4.72")

Note: Longer heights are also available.

# WNPDD type

todo de  
inoxidable

-  Round manhole cover with back-side opening
-  Trappe Ronde avec ouverture par renversement
-  Runder Domdeckel, nach außen öffnend
-  Tapa circular con apertura vertical
-  Chiusino Circolare apertura a ribaltamento



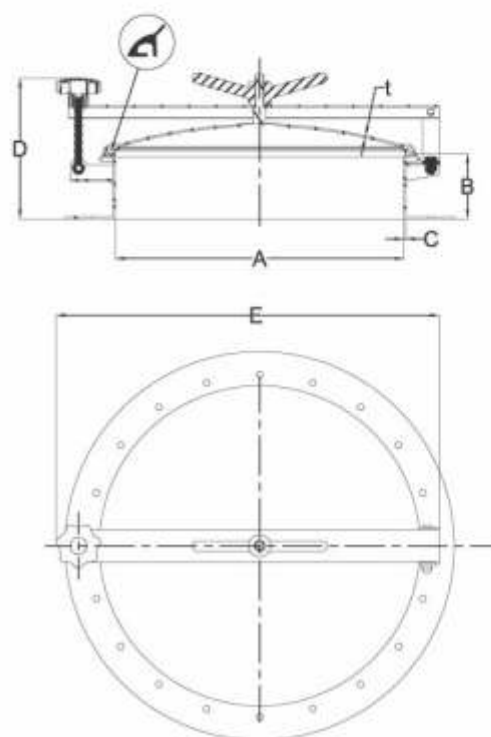
- ◆ 7043 219
- ◆ 7043 300
- ◆ 7043 350
- ◆ 7043 400
- ◆ 7043 430
- ◆ 7043 450
- ◆ 7043 500
- ◆ 7043 600



## STANDARD SIZE/\* At temperature 50°C / 122 °F

CODE	A	OD×C	B	T	P.MAX
	mm	mm	mm	mm	bar
7043 219	214	219×3.0	100	2.0	0.2
7043 300	294	300×3.0	100	2.5	0.18
7043 350	344	350×3.0	100	2.5	0.15
7043 400	394	400×3.0	100	2.5	0.12
7043 430	424	430×3.0	100	2.5	0.1
7043 450	444	450×3.0	100	2.5	0.1
7043 500	494	500×3.0	100	2.5	0
7043 600	594	600×3.0	100	2.5	0






\*1BAR = 14.5PSI=0.1MPA





# WNPDE type



-  Round manhole cover with back-side opening
-  Trappe Ronde avec ouverture par renversement
-  Runder Domdeckel, nach außen öffnend
-  Tapa circular con apertura vertical
-  Chiusino Circolare apertura a ribaltamento



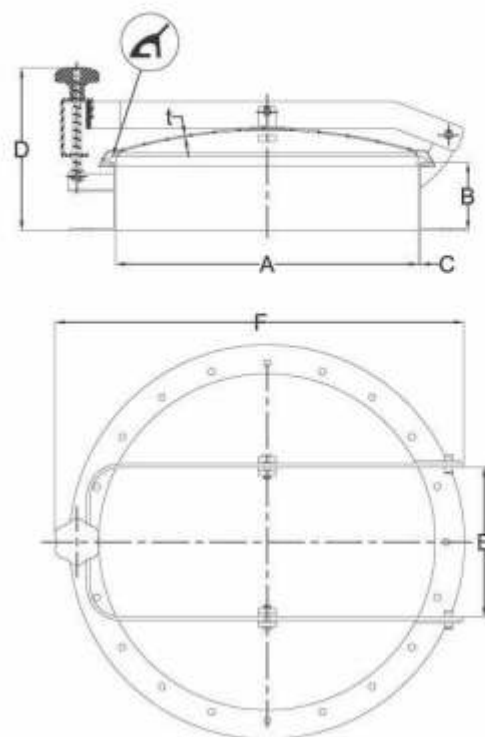
- ◆ 7044 219
- ◆ 7044 300
- ◆ 7044 350
- ◆ 7044 400
- ◆ 7044 430
- ◆ 7044 450
- ◆ 7044 500
- ◆ 7044 600



## STANDARD SIZE/\* At temperature 50°C / 122 °F






CODE	A	OD×C	B	T	P.MAX
	mm	mm	mm	mm	bar
7044 219	214	219×3.0	100	2.0	0.3
7044 300	294	300×3.0	100	2.5	0.22
7044 350	344	350×3.0	100	2.5	0.18
7044 400	394	400×3.0	100	2.5	0.16
7044 430	424	430×3.0	100	2.5	0.15
7044 450	444	450×3.0	100	2.5	0.12
7044 500	494	500×3.0	100	2.5	0.1
7044 600	594	600×3.0	100	2.5	0

\*1BAR = 14.5PSI=0.1MPA



# WSERC type



-  Round manhole cover with back-side opening
-  Trappe Ronde avec ouverture par renversement
-  Runder Domdeckel, nach außen öffnend
-  Tapa circular con apertura vertical
-  Chiusino Circolare apertura a ribaltamento



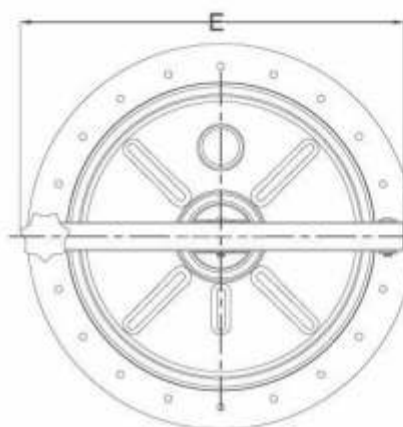
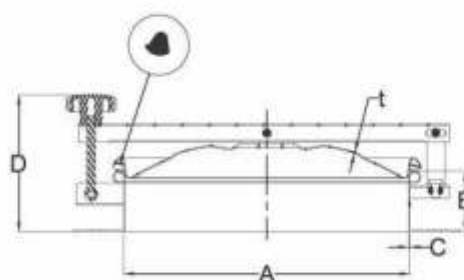
- ◆ 7045 350
- ◆ 7045 400
- ◆ 7045 430
- ◆ 7045 450
- ◆ 7045 500
- ◆ 7045 600



## STANDARD SIZE/\* At temperature 50°C / 122 °F

CODE	A	OD×C	B	T	P.MAX
	mm	mm	mm	mm	bar
7045 350	346	350×2.0	85	2.0	0.3
7045 400	396	400×2.0	85	2.0	0.2
7045 430	426	430×2.0	85	2.0	0.15
7045 450	446	450×2.0	85	2.0	0.12
7045 500	496	500×2.0	85	2.0	0.07
7045 600	596	600×2.0	85	2.0	0

\*1BAR = 14.5PSI=0.1MPA



# WR type



-  Rectangular manwaydoor, opening outwards
-  Porte rectangulaire avec ouverture à l'extérieur
-  Rechteckige Mannlochtür, schwenkbar nach außen (außenöffnung)
-  Puerta rectangular de apertura externa
-  Portella rettangolare ad apertura esterna



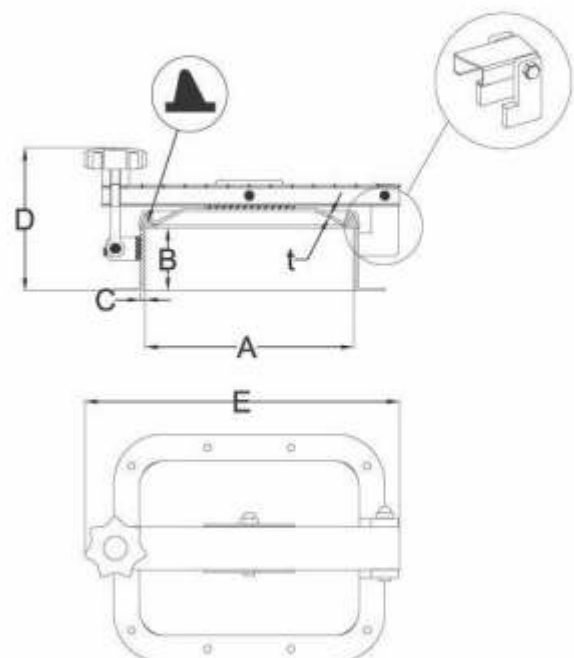
♦ 7046 235







**STANDARD SIZE/\*** At temperature 50°C / 122 °F

CODE	A	C	B	T	P.MAX
	mm	mm	mm	mm	bar
7046 235	225×175	5.0	70	3.0	0.7

\*1BAR = 14.5PSI=0.1MPA



# WRE type

-  Rectangular manwaydoor, opening outwards
-  Porte rectangulaire avec ouverture à l'extérieur
-  Rechteckige Mannlochtür, schwenkbar nach außen (außenöffnung)
-  Puerta rectangular de apertura externa
-  Portella rettangolare ad apertura esterna



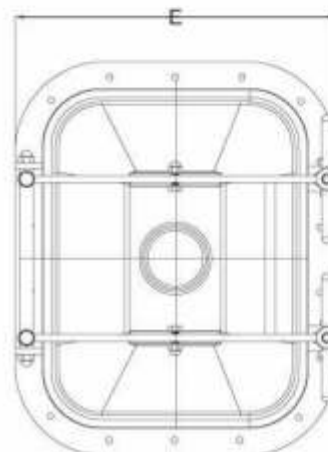
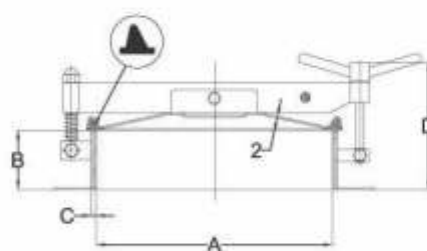
- ◆ 7047 435
- ◆ 7047 535
- ◆ 7047 700



**STANDARD SIZE/\*** At temperature 50°C / 122 °F

CODE	A	C	B	T	P.MAX
	mm	mm	mm	mm	bar
7047 435	419×319	8.0	100	3.0	0.7
7047 535	519×399	8.0	100	3.0	0.3
7047 700	676×476	12.0	100	4.0	0.1

\*1BAR =14.5PSI=0.1MPA



# WRE-2 type



-  Rectangular manwaydoor, opening outwards
-  Porte rectangulaire avec ouverture à l'extérieur
-  Rechteckige Mannlochtür, schwenkbar nach außen (außenöffnung)
-  Puerta rectangular de apertura externa
-  Portella rettangolare ad apertura esterna



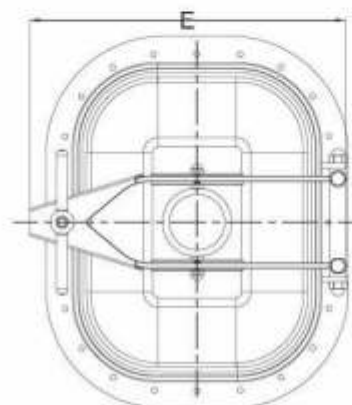
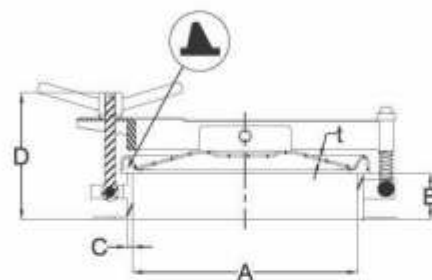
- ◆ 7048 435
- ◆ 7048 535
- ◆ 7048 700








## STANDARD SIZE/\* At temperature 50°C / 122 °F

CODE	A	C	B	T	P.MAX
	mm	mm	mm	mm	bar
7048 435	419×319	8.0	70	3.0	0.6
7048 535	519×399	8.0	100	3.0	0.25
7048 700	676×476	12.0	100	4.0	0.1

\*1BAR =14,5PSI=0.1MPA



# WONP type

-  OVAL Manwaydoor outwards opening
-  Porte Ovale avec ouverture à l'extérieur
-  Ovale Mannlochtür, schwenkbar nach außen (außenöffnung)
-  Puerta Oval de apertura externa
-  Portella Ovale apertura esterna



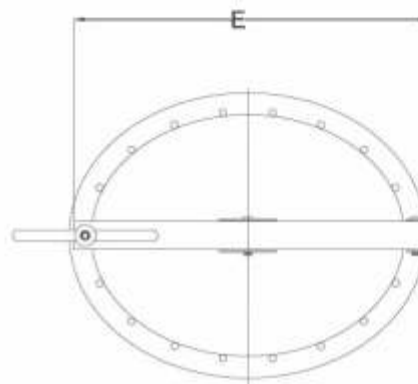
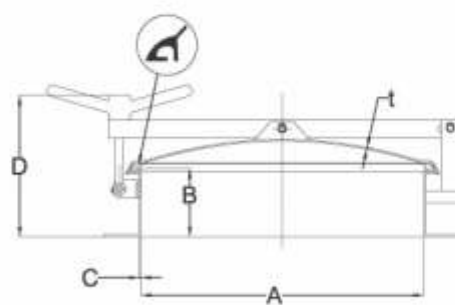
♦ 7049 420



**STANDARD SIZE/\*** At temperature 50°C / 122 °F






CODE	A	C	B	T	P.MAX
	mm	mm	mm	mm	bar
7049 420	414×294	3	100	3.0	0.1

\*1BAR =14,5PSI=0.1MPA



# WZKD type



-  OVAL Manwaydoor inwards opening
-  Porte Ovale avec ouverture à l'intérieur
-  Ovale Mannlochtür, schwenkbar nach innen (Innenöffnung)
-  Puerta Oval de apertura interna
-  Portella Ovale apertura interna



◆ 7050 458



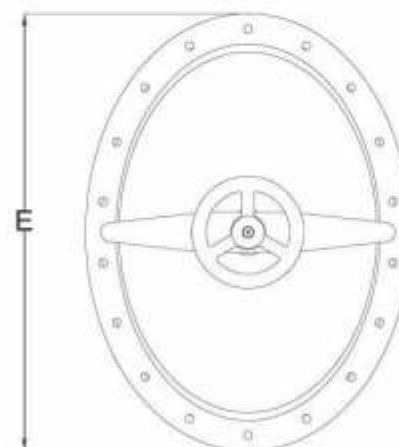
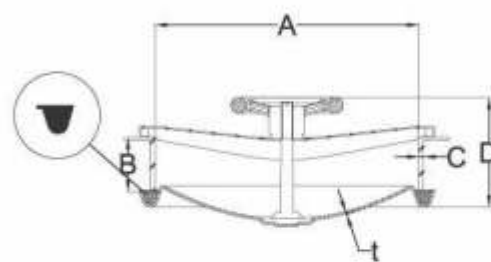
**STANDARD SIZE/\*** At temperature 50°C /122 °F

CODE	A	C	B	T	P.MAX
	mm	mm	mm	mm	bar
7050 458	446×311	6	80	3.0	1.5

IF YOU WANT TO CHECK THE MORE DETAILS

PLEASE CHECK THE FOLLOWING DRAWING

\*1BAR =14.5PSI=0.1MPA



# Parts



(Innenöffnung)

-  Gasket
-  Joints
-  Dichtungen
-  Juntas
-  Guarnizioni

## Storage Conditions For Gaskets

Optimal use in service and the lifetime of a gasket depend essentially on the storage conditions prior to use.

The ageing resistance of gasket at rest differs considerably according to the elastomers.

Nevertheless, all our gasket benefit from a 1-year storage lifetime guarantee provided

that you comply with the following storage conditions :

- ◆ gasket laid flat and tension-free
- ◆ at ambient temperature
- ◆ away from direct light, heat and bad weather
- ◆ away from all sources of ozone (anti-static bars, etc.)

These conditions are valid for all types of elastomers.

The above information is based on reliable data sent by our suppliers and cannot in any circumstances involve our liability.

## Ordering Information:

When you need to replace the seal, Please carefully check your current lids type and code to download the appropriate documentation to see the number of seals, selected according to the characteristics of the product you need, please order as follows:

1. Code No.
2. Material
3. Quantity

### Gasket profile

Lip-seated gasket



O-ring gasket



O-ring gasket



Half-round gasket



Rectangular gasket



TP gasket



Type of gasket	Alakline	Acid	Maximum temperature*
Food quality gasket			
EPDM	Excellent	Good	-40°C / + 130°C
SILICON	Good	Ok	-50°C / +250°C
F.P.M.(VITON®)	Excellent	Excellent	-10°C / +200°C
NITRILE(NRB)	Good	Good	-10°C / +110°C
PTFE	PTFE	Excellent	-200°C / +260°C

Note: Either the temperature of the liquid in contact, or by the duration of the contact can highly influence the chemical resistance of rubbers, or in the case of chemical solutions, by the concentration of the active product. The resistance values are given as a guide only and may be modified by the following determinant factors: constitution of the rubber mix, variable temperatures, variable loads or stretching, atmospheric agents, exposure time, etc...
















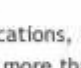


# Parts

Manways come with seals of special codes that correspond to particular shapes, materials and sizes. Orders can be made according to the code numbers of these seals.

Code	7010 01	7010 02	7010 03	7010 04	7010 05	7010 06	7010 07	7010 08	7010 09
Shape									

Below ZIMANI manholes correspond to manhole sealing ring shape, Refer to LIST OF THE TYPE

Code	Shape	Code	Shape	Code	Shape	Code	Shape
7011		7021		7031		7041	
7012		7022		7032		7042	
7013		7023		7033		7043	
7014		7024		7034		7044	
7015		7025		7035		7045	
7016		7026		7036		7046	
7017		7027		7037		7047	
7018		7028		7038		7048	
7019		7029		7039		7049	
7020		7030		7040		7050	

When ordering seals, you can refer to the manhole coding, as well as models of seals, material, manhole specifications, to purchase the products you need. Unless otherwise stated by a company's conventional installation, most manhole use more than several seal types

For example:

If you want to buy NPDC TYPE ,7011 400 manhole Silicon seals,you can choose from the following selection methods to order you seals.

Code Number		Material			Size
Code	Shape/Style	Silicon	EPDM	FPM	Manhole specification
7010	01	1	2	3	400

# todo de inoxidable

