



ANGLE SEAT VALVE SERIES

Q5 Series Pneumatic Angle Seat Valve

Advantages

External advanced Angle, especially compare with the normal globe valves seat valve, there is adjustment sealing gland between over flow drain and slider, body structure can enforce more flow rate, especially compare with the normal globe valves.



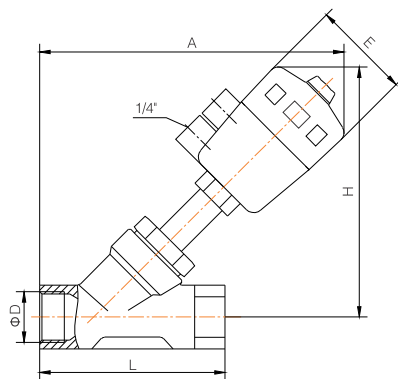
Threaded Connection

Technical Data

- ◆ Pressure range:0-16 bar
- ◆ Medium temperature:-10°C~+60°C
- ◆ Environmental temperature:~10°C + 60°C
- ◆ Body material: Stainless
- ◆ Sealing material:PTFE
- ◆ Actuator material: PA
- ◆ Medium: Neutral gas, air, water

Option

- ◆ Control functions:Normally open
- ◆ +5°C~+130°C Actuator material suitable for environmental temperature :+5°C~+130°C.
- ◆ No return spring double acting actuator
- ◆ Electronic position feedback
- ◆ Independent adjustable stroke limit, suitable for high low flow schedule.
- ◆ Manual emergency switch
- ◆ Namur Pilot valve suitable Namur Adapter



Q5 Series

Size	D	mm	L	A	H	E
15	1/2"	φ 50	85	180	140	65
20	3/4"	φ 50	95	185	145	65
25	1"	φ 50	105	190	155	65
	1"	φ 63	105	220	185	80
32	1 1/4"	φ 63	120	230	188	80
40	1 1/2"	φ 63	130	235	195	80
	1 1/2"	φ 80	130	228	215	100
50	2"	φ 63	150	250	205	80
	2"	φ 80	150	268	225	100
65	2 1/2"	φ 80	185	285	260	100
	2 1/2"	φ 100	185	325	320	126
80	3"	φ 100	210	335	330	126



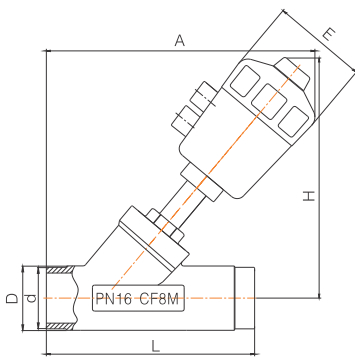
Welded Connection



Tri-clamp Connection

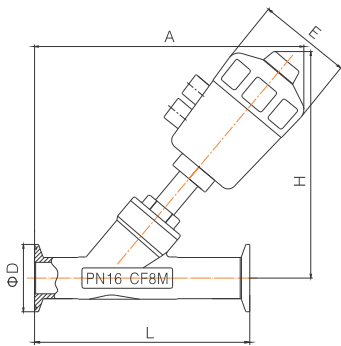


Flanged Connection



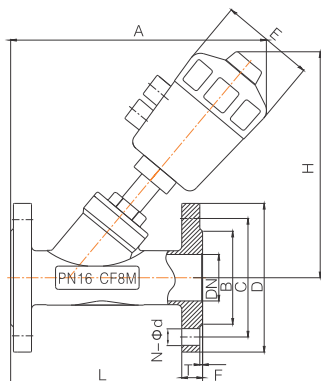
H5 Series

Size	mm	L	D	d	A	H	E
15	φ 50	122	20	19	165	147	64
20	φ 50	130	25.5	25	170	153	64
25	φ 63	145	31	30	205	190	80
32	φ 63	155	38	37	217	193	80
40	φ 63	184	47	46	225	198	80
50	φ 80	198	58	57	260	225	100
65	φ 100	226	77.5	77	342	300	126
80	φ 100	247	92	90	360	315	126



K5 Series

Size	mm	L	D	A	H	E
15	φ 50	122	50.5	165	147	64
20	φ 50	139	50.5	170	153	64
25	φ 63	159	50.5	215	190	80
32	φ 63	176	64	225	193	80
40	φ 63	189	64	230	198	80
50	φ 80	208	77.5	268	225	100
65	φ 100	225	91	315	290	126
80	φ 100	255	106	362	315	126



F5 Series

Size	mm	L	T	f	D	C	B	N-φ d	A	H	E
15	φ 50	120	14	2	95	65	40	4-φ 14	165	145	64
20	φ 50	130	14	2	105	75	50	4-φ 14	170	150	64
25	φ 63	140	14	2	115	85	60	4-φ 14	210	183	80
32	φ 63	150	16	2	135	100	70	4-φ 18	220	185	80
40	φ 63	180	16	2	145	110	80	4-φ 18	230	195	80
50	φ 80	195	16	2	160	125	92	4-φ 18	260	230	100
65	φ 100	230	18	2	185	145	115	4-φ 18	320	290	126
80	φ 100	250	18	2	195	160	130	8-φ 18	360	315	126

ISO/DIN/JIS

Flange standard can be customized, ISO/DIN/JIS is also available.

Q3 Series Pneumatic Angle Seat Valve

Advantages

- ◆ Large flux, low resistance, No water-hammer.
- ◆ Y-type shape enlarged the flowing section, which could raise the flux by 30% and make flow more smooth.
- ◆ Super long life, which help the stem adjust and lubricate itself automatically.
- ◆ The cylinder material is stainless steel. lubricating automatically, 360° rolling freely.



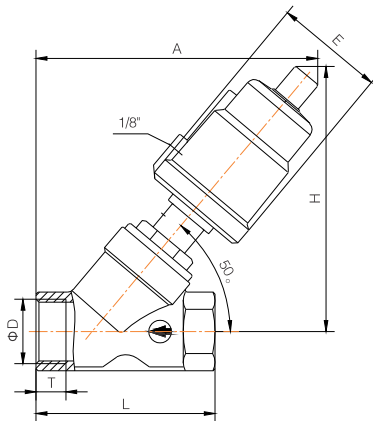
Threaded Connection

Technical Data

- ◆ Pressure range: 0-16 bar
- ◆ Medium temperature: -10°C~+180°C
- ◆ Environmental temperature: -10°C~+60°C
- ◆ Body material: PTFE
- ◆ Actuator material: SS304
- ◆ Medium: Neutral gas, air, water.

Option

- ◆ Control function: Normally open
- ◆ +5°C~+130°C Actuator material suitable for environmental temperature: +5°C~+130°C
- ◆ Double acting actuators
- ◆ Electronic position feedback independent adjustable stroke limit, suitable for high-low flow schedule.
- ◆ Pilot valve suitable Namur adapter.



Q3 Series

Size	D	mm	L	A	H	E
15	1/2"	φ 50	68	130	128	60
20	3/4"	φ 50	75	140	133	60
25	1"	φ 50	90	150	140	60
	1"	φ 63	90	170	165	75
32	1 1/4"	φ 63	110	180	175	75
40	1 1/2"	φ 63	115	190	178	75
	1 1/2"	φ 80	115	210	200	95
50	2"	φ 63	135	200	190	75
	2"	φ 80	135	220	210	95
65	2 1/2"	φ 80	185	260	230	95
	2 1/2"	φ 100	185	300	300	116
80	3"	φ 100	210	335	320	116



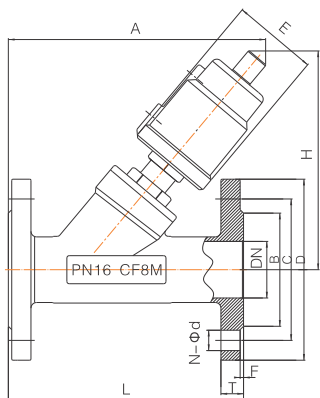
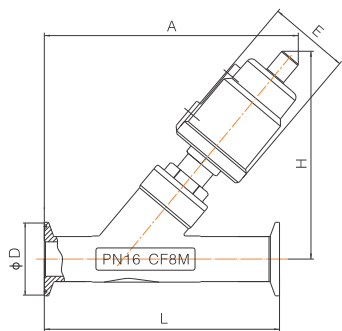
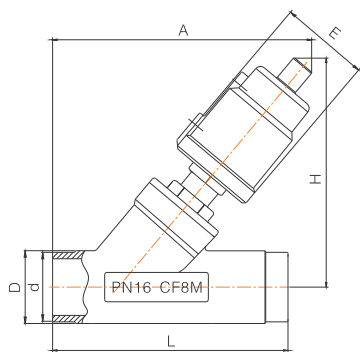
Welded Connection



Tri-clamp Connection



Flanged Connection



H3 Series

Size	mm	L	D	d	A	H	E
15	φ 50	122	20	19	155	135	61
20	φ 50	130	25.5	25	155	140	61
25	φ 63	145	31	30	195	172	76
32	φ 63	155	38	37	195	175	76
40	φ 63	184	47	46	200	180	76
50	φ 80	198	58	57	240	205	95
65	φ 100	226	77.5	77	325	278	117
80	φ 100	247	92	90	340	300	117

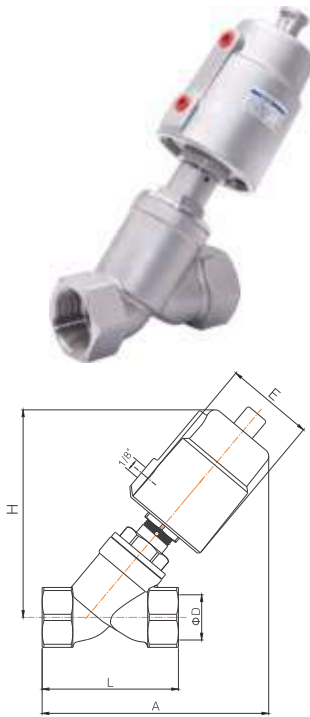
K3 Series

Size	mm	L	D	A	H	E
15	φ 50	122	50.5	155	135	61
20	φ 50	139	50.5	155	140	61
25	φ 63	159	50.5	195	172	76
32	φ 63	176	64	205	175	76
40	φ 63	189	64	205	180	76
50	φ 80	208	77.5	245	205	95
65	φ 100	225	91	317	275	117
80	φ 100	255	106	342	290	117

F3 Series

Size	mm	L	T	f	D	C	B	N-φ d	A	H	E
15	φ 50	120	14	2	95	65	40	4-φ 14	160	145	62
20	φ 50	130	14	2	105	75	50	4-φ 14	165	153	62
25	φ 63	140	14	2	115	85	60	4-φ 14	220	178	76
32	φ 63	150	16	2	135	100	70	4-φ 18	215	213	76
40	φ 63	180	16	2	145	110	80	4-φ 18	205	180	76
50	φ 80	195	16	2	160	125	92	4-φ 18	235	205	96
65	φ 100	230	18	2	185	145	115	4-φ 18	320	275	114
80	φ 100	250	18	2	195	165	130	8-φ 18	340	290	114

E3 Series Pneumatic Angle Seat Valve



E3 Series

Size	D	mm	L	A	H	E
DN15	1/2"	φ 40	68	124	112	50
		φ 50		135		60
DN20	3/4"	φ 50	75	140	132	60
DN25	1"	φ 50	90	150	136	60
		φ 63		172		75
DN32	1 1/4"	φ 63	116	190	175	75
		φ 90		235		106
DN40	1 1/2"	φ 63	116	190	175	75
		φ 90		235		106
DN50	2"	φ 63	138	205	183	75
		φ 90		250		106

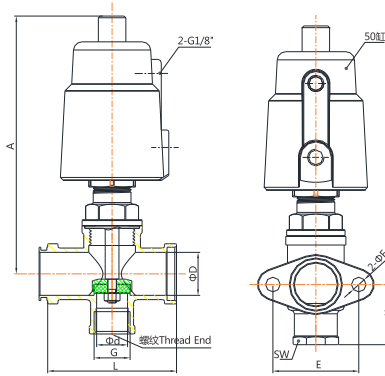
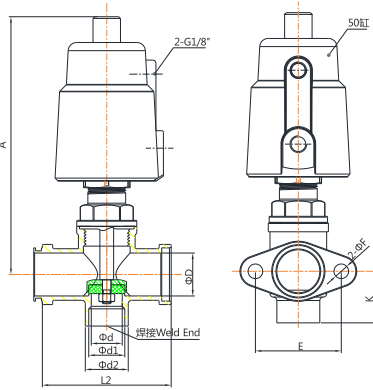
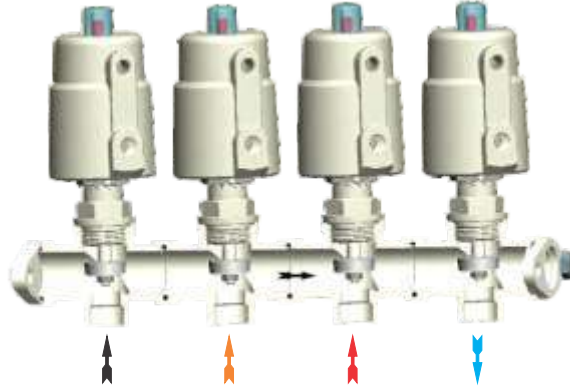
A3 Series Pneumatic Angle Seat Valve



A3 Series

Size	D	mm	L	A	H	E
DN10	3/8"	φ 70	68	162	167	92
DN15	1/2"	φ 70	75	165	167	92
DN20	3/4"	φ 70	90	172	167	92
DN25	1"	φ 70	116	185	167	92
DN32	1 1/4"	φ 70	116	205	185	92
DN40	1 1/2"	φ 70	116	205	190	92
DN40	1 1/2"	φ 120	116	265	260	164
DN50	2"	φ 70	138	222	190	92
DN50	2"	φ 120	138	280	260	164
DN65	2 1/2"	φ 120	185	310	295	164
DN80	3"	φ 120	210	328	300	164

L3 Series Pneumatic Angle Seat Valve



Size	A	K	L	D	d	d1	d2	ΦE	2-ΦF
DN20	153	30	76	25	18	21	25	50	8.5
DN25	153	36	90	32	24	27	32	57	8.5

Size	A	K	L	D	d	G	SW	ΦE	2-ΦF
DN15	153	35	76	25	18	1/2"	27	50	8.5
DN25	153	46	90	32	24	1"	39	57	8.5

Technical Data

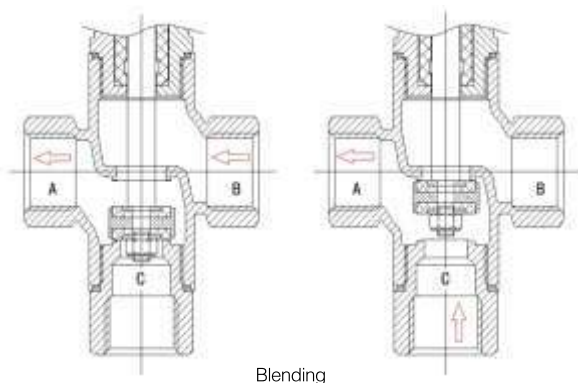
Fluid Pressure	0-1.6MPa
Control Pressure	0.3-0.8MPa
Advantages	3-Way body; Assembly easily and save space; Best choice for fluid mixing.
Control Fluid	Neutral gas, Air
Seals Material	PTFE
Applicable Fluid	Water、Oil、Air etc. Liquid
Fluid Temperature	-10—+200°C
Ambient Temperature	-10—+80°C
Connection Type	Flanged
Control Type	Normally closed、 Normally open、 Double acting

S3 Series Three-way Pneumatic Angle Seat Valve



Technical Data

- ◆ Work pressure: Max 1.6MPa
- ◆ Control pressure: 0.3–0.8MPa
- ◆ Control Medium: Neutral gas or air
- ◆ Body material: CF8M
- ◆ Actuator material: CF8
- ◆ Seal material: PTFE
- ◆ Medium temperature: $-10^{\circ}\text{C} \sim +180^{\circ}\text{C}$
- ◆ Ambient temperature: $-10^{\circ}\text{C} \sim +80^{\circ}\text{C}$
- ◆ Control type: Normally closed, Double acting with spring, Double acting with compressed air.
- ◆ Connection: Thread, Tri-clamp
- ◆ Applicable medium: Water, steam, oil, neutral gas or liquid, organic solvent, acid base solution, etc



Function Principle

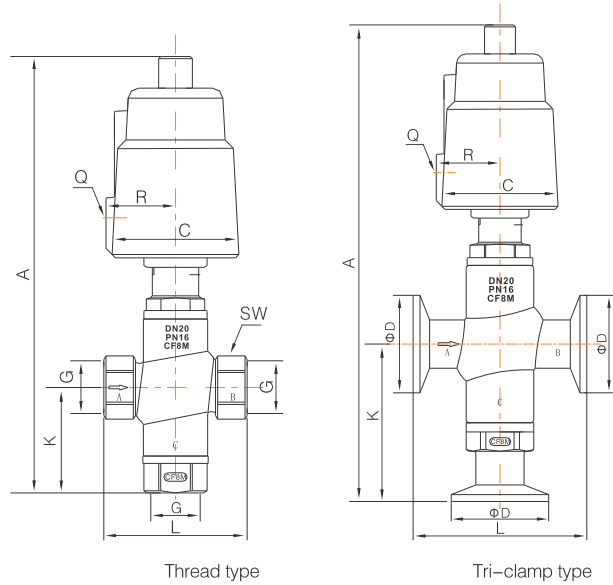
The valve has three ports that enable "reversing" and "blending" features. When the valve is in idle state, C port is often closed due to force of the spring. When the actuator piston is compressed, C port is opened and B port is closed. When double acting, the valve opens and closes by compressed air.

Thread Type

Size	Actuator	Q	C	R	G	A	K	L	SW	weight (kg)
DN15	40	G1/8	50.5	27	1/2"	195	50	68	27	0.91
DN20	50	G1/8	60	33	3/4"	230	60	75	32	1.25
DN25	50	G1/8	60	33	1"	242	68	90	40	1.64

Tri-clamp Type

Size	Actuator	Q	C	R	D	A	K	L	weight (kg)
DN15	40	G1/8	50.5	27	34	223	80	90	0.99
DN20	50	G1/8	60	33	50.5	246	80	90	1.48
DN25	50	G1/8	60	33	50.5	262	90	100	1.78



Thread type

Tri-clamp type

Pressure Data

Type 1: Single acting, with Normal Spring

Size	Actuator	Interface	Inner hole	Flow rate	KV (m ³ /h)	Differential pressure range ΔP(MPa)A→B/A→C	Differential pressure range ΔP(MPa)C→A	Control pressure (MPa)
				A→B	A→C			
DN15	40	1/2"	14	4.1	4.9	0-1.6	1.2	0.4-0.6
DN20	50	3/4"	18	5.8	6.5	0-1.6	0.8	0.3-0.5
DN25	50	1"	24	13.9	14.4	0-1.4	0.4	0.3-0.65

Type 2: Single acting, with Strong Spring

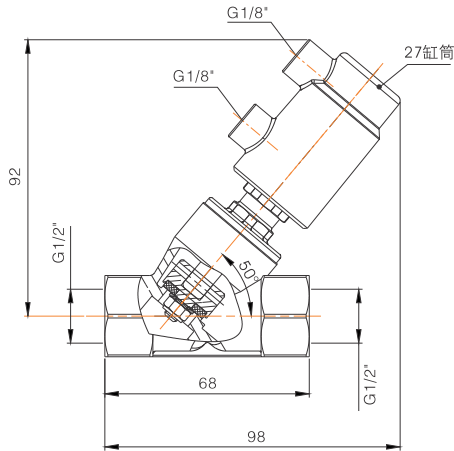
Size	Actuator	Interface	Inner hole	Flow rate	KV (m ³ /h)	Differential pressure range ΔP(MPa)A→B/A→C	Differential pressure range ΔP(MPa)C→A	Control pressure (MPa)
				A→B	A→C			
DN15	40	1/2"	14	4.1	4.9	0-1.6	1.2	0.4-0.6
DN20	50	3/4"	18	5.8	6.5	0-1.6	1.4	0.45-0.65
DN25	50	1"	24	13.9	14.4	0-1.1	0.6	0.45-0.65

Double acting, with Normal Spring

Size	Actuator	interface	内孔 Inner hole	Flow rate	KV (m ³ /h)	Differential pressure range ΔP(MPa)A→B/A→C	压差范围 Differential pressure range ΔP(MPa)C→A	控制压力 Control pressure (MPa)
				A→B	A→C			
DN15	40	1/2"	14	4.1	4.9	0-1.6	1.6	0.4-0.6
DN20	50	3/4"	18	5.8	6.5	0-1.6	1.6	0.3-0.5
DN25	50	1"	24	13.9	14.4	0-1.4	1.4	0.3-0.65

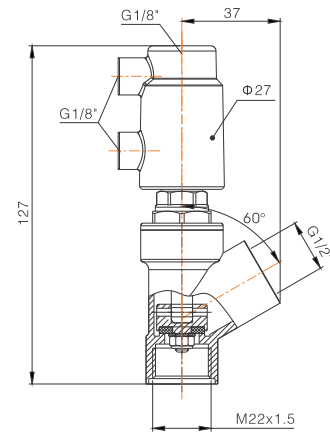
G3 Series Pneumatic Filling Valve

G3-A



DN15-A

G3-B



DN15-B



Technical Data

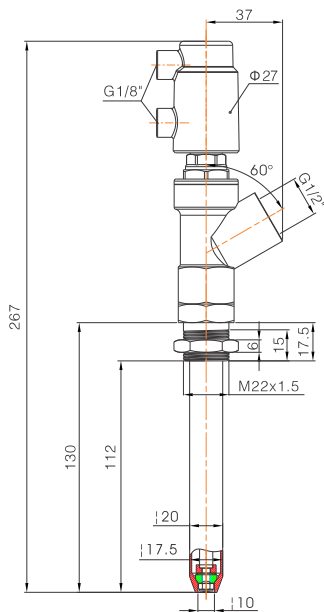
- ◆ Double acting (with spring): Fluid pressure: 0 ~ 7bar,
- ◆ Control pressure: 3.8bar ~ 4.2bar
- ◆ Double acting (no spring): Fluid pressure: 0 ~ 7bar,
- ◆ Control pressure: 3 ~ 3.5bar
- ◆ Body: CF8 or CF8M
- ◆ Sealing Material: PTFE
- ◆ Fluid Temperature: -10°C ~ +120°C
- ◆ Connection: Thread (BSP, BSPT, NPT)

Advantages

Compact design, could be assembled in a small space. Movable seat, which has perfect sealing.

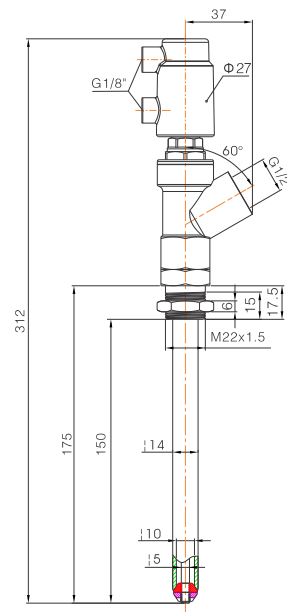
G3 Series Pneumatic Filling Valve

G3-C



DN15-C

G3-D



DN15-B

Technical Data

- ◆ Double acting (with spring):
Fluid pressure: 0~7bar, Control pressure: 3.8bar~4.2bar
- ◆ Double acting (no spring):
Fluid pressure: 0~7bar, Control pressure: 3~3.5bar
- ◆ Body: CF8 or CF8M
- ◆ Sealing Material: PTFE
- ◆ Fluid temperature: -10°C~ +120°C

Advantages

This valve is widely used on drinks filling machinery. The long filling gun is specially designed for high viscosity fluid. Fast filling, accurate and steady performance. Compact design, could be assembled in a small space. No dripping during working, because of special sealing design.

Pneumatic Angle Seat Valve Series

Angle Seat Valve (T-type)

The Q5-T Series 2-position 2-way fluid control valve is a novel control valve developed by our Company. The valve is low in starting pressure, highly flexible in open and close, good in sealing property and without the water leakage.



Proximity Switch

Switch can be installed on every actuator, indicating the valve on-off with signal.



Technical Data

Voltage: 10-30V DC
Protection class: IP67
Detection distance: 3mm ± 10%
Environmental temperature: -25~70°C
Material: shell: brass nickel plating, detection: ABS

Y-Type manual Angle Seat Valve

Technical Data

Valve Size: DN10-DN65
Pipe Pressure: 0-1.6MPa
Body Material: CF8M / CF8
Valve Spool Seal: PTEE
Applicable Fluid: Water, Alcohol, Oil, Fuel, Steam, Neutral Gas or liquid, Organic solvent, acid and lye
The Temperature of The Medium: -10°C ~ +200°C



Solenoid Valve

Applies to all caliber angle seat valve, which can be accessed through two five or two 3-way solenoid valve.



Technical Data

Connection: G1/8
Power: 24V DC 220V AC
Air pressure: 0.15-0.8 MPa
Working temperature: -5~50°C
Protection class: IP65

Manual Override for Stroke Actuator

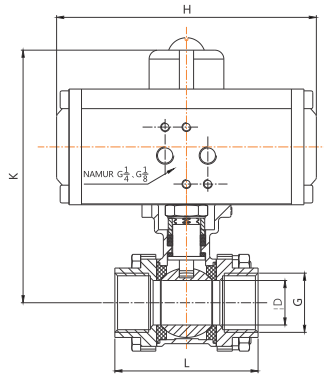
Can adjust piston stroke, restrictions, regulating valves, applicable to all types traffic block valves, another horn of air, without control in mechanical (electromagnetic) failure can also be used to emergency braking.



Pneumatic Ball Valve Series

Technical Data

- ◆ Nominal pressure: 6.9Mpa(1000Psi)
- ◆ Applicable temperature: -20~180°C
- ◆ Body and Bonnet: CF8(304) or CF8M(316)
CF8(304) or CF8M(316)
- ◆ Stem: 304 or 316
- ◆ Sealing and Packing: (PTFE)
- ◆ Thread end: BSP, BSPT, DIN2999, NPT

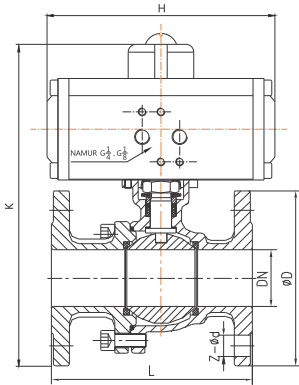


A型 Type A

SIZE ITEM	DN15	DN20	DN25	DN32	DN40	DN50	DN65	DN80	DN100
G	1/2"	3/4"	1"	1-1/4"	1-1/2"	2"	2-1/2"	3"	4"
D	15	20	25	32	38	50	65	80	100
L	65	75	82	96	105	126	166	192	252
H	144	144	163	163	214	214	252	270	354
K	141	148	173	178	203	210	245	266	337

Technical Data

- ◆ Nominal pressure: 6.9Mpa(1000Psi)
- ◆ Applicable temperature: -20~180°C
- ◆ Body and Bonnet: CF8(304) or CF8M(316)
- ◆ Bal: CF8(304) or CF8M(316)
- ◆ Stem: 304 or 316
- ◆ Sealing and Packing: (PTFE)
- ◆ Flange end: (GB) (JIS) (DIN) (ANSI)



B型 Type B

SIZE ITEM	DN15	DN20	DN25	DN32	DN40	DN50	DN65	DN80	DN100
G	1/2"	3/4"	1"	1-1/4"	1-1/2"	2"	2-1/2"	3"	4"
D	15	20	25	32	40	50	65	80	100
L	130	140	150	165	180	200	220	250	280
H	144	144	163	163	214	214	252	270	354
K	147	152	173	186	208	213	247	269	337



TODO DE INOXIDABLE | Calz. Mariano López Ortiz #1450
Col. Centro | Torreón, Coah. México
Sucursal Tel. (+52-871)193-7074 y 75

Whatsapp 87-14-11-97-79
ventas@tododeinoxidable.com

www.tododeinoxidable.com